

LUXURY FLOORING

Unbound™

Product Information

Construction - Solid Vinyl Tile (Luxury Vinyl Tile / LVT)

Product Lines - Unbound™

International Specifications - ASTM F1700, Class III, Type B embossed surface

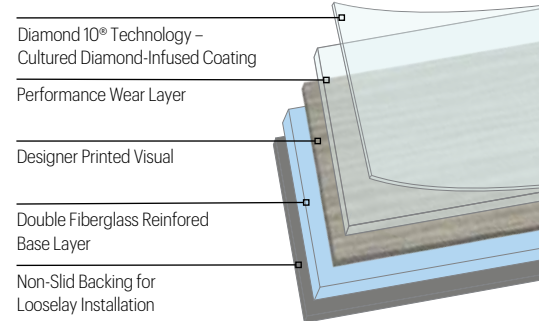
Overall Thickness - 0.200" (5.5 mm)

Wear Layer Thickness - 0.020" (0.5 mm)

Factory Finish - Diamond 10® Technology

Installation - Adhesives: S-315 Roll Strong™, S-980, S-1000, S-240 Epoxy

Maintenance Options - No Polish - No Buff, Polish Optional



Packaging

Size	Pieces per Carton/Coverage	Shipping Weight per Carton
7" x 59" (178 mm x 1499 mm)	8 / (23.92 sq. ft.) 2.22 m ²	48.18 lbs. (20.4 kg)
9" x 59" (229 mm x 1499 mm)	6 / (22.31 sq. ft.) 2.07 m ²	41.9 lbs. (18.99 kg)
36" x 36" (914 mm x 914 mm)	4 / (36 sq. ft.) 3.34 m ²	63.4 lbs. (28.78 kg)

Testing

Performance	Test Method	Requirement	Performance vs. Requirement
Thickness	ASTM F386	Nominal ±0.005"	Meets
Wear Layer Thickness	ASTM F410	0.020" (0.5 mm) minimum for Commercial Use	Meets
Squareness	ASTM F2055 (tile) ASTM F2055 (plank)	0.010" maximum	Meets
Dimensional Stability	ASTM F2199	≤ 0.020" per linear ft.	Meets
Chemical Resistance	ASTM F925	No more than slight change in surface dulling, attack or staining	Meets
Resistance to Heat	ASTM F1514	ΔE < 8 avg., max	Meets
Resistance to Light	ASTM F1515	ΔE < 8 avg., max	Meets
Static Load Resistance @ 250	ASTM F970	≤ 0.005"	Meets
Additional Testing			
Static Load Resistance	ASTM F970*	≤ 0.005"	1000 psi
Fire Test Data – Flame Spread	ASTM E648	0.45 W/cm ² or more Class 1	Meets
Fire Test Data – Smoke Evolution	ASTM E662	450 or less	Meets
Fire Test Data – Canada	CAN/ULC S-102.2	Use dependent	Flame Spread - 25 Smoke Developed - 230
ADA Standards for Accessible Design	Chapter 3, Section 302.1	Floor surfaces shall be stable, firm and slip resistant	Meets
Static Coefficient of Friction**	ASTM D2047/UL 410	≥ 0.5	Meets

Sustainability

WELL v1 Feature

Air	Feature 04 - VOC Reduction
	Feature 11 - Fundamental Material Safety
	Feature 25 - Toxic Material Reduction
Mind	Feature 97 - Material Transparency
	Feature 88 (Part 2) Biophilia I - Qualitative
	Feature 99 - Beauty and Design II

Unbound

✓
✓
✓
✓
✓
✓

Contribution

Tested and third party certified by FloorScore as complying with CDPH v1.2
Product is free of asbestos and added lead (Part 1)
Free of flame retardants (Part 2) and phthalates (Part 3)
Readily available Health Product Declaration (HPD) to 1000 ppm
Products available that incorporate nature patterns
Patterns and colors to aid in wayfinding and spatial familiarity (Part 3)

WELL v2 Feature

Materials	Feature X01.1 Material Restrictions
	Feature X05.1 Enhanced Material Restrictions
	Feature X06.1 VOC Restrictions
	Feature X06.2 VOC Restrictions
	Feature M07.1 Material Transparency
Mind	Feature M02.1 Access to Nature
	Feature C13 (Part 2) Accessibility and Universal Design

Unbound

✓
✓
✓
✓
✓
✓
✓

Contribution

Product is free of asbestos
Free of flame retardants (Part 2) and phthalates (Part 3)
Adhesives associated with product are tested and third party certified by FloorScore as complying with CDPH v1.2
Flooring is tested and third party certified by FloorScore as complying with CDPH v1.2
Readily available Health Product Declaration (HPD) to 1000 ppm
Products available that incorporate nature patterns
Patterns and colors to aid in wayfinding and spatial familiarity

LEED™ v4.1

BPDO - EPD
BPDO - Material Ingredient
BPDO - Sourcing
Location of Manufacturer
Low Emitting Flooring
Low Emitting Adhesives
SCAQMD #1168 Compliant.
Adhesives meet >50 g/L requirement

Unbound

Industry Average
HPD
29% pre-consumer recycled content
EPR - On&On Recycling Program
USA
Tested and third party certified by FloorScore as complying with CDPH v1.2
Tested and compliant to CDPH v1.2; Methylene Chloride and Perchloroethylene not intentionally added; FloorScore Certified
S-240 Epoxy – 10 g/L
S-315 Roll Strong – 0 g/L
S-980 – 14 g/L
S-1000 – 0.1 g/L

Limited Warranty

20-year Commercial Warranty when installed in strict accordance with the detailed instructions.

Visit ArmstrongFlooring.com

for complete Product, Technical, Adhesives, Installation & Maintenance recommendations.

F-10376-321

Armstrong and the Armstrong logo are under license from AWI Licensing LLC. | All other trademarks are owned by AFI Licensing LLC. | © 2021 AFI Licensing LLC. FloorScore® is a registered trademark of the Resilient Floor Covering Institute. | LEED® is a registered trademark of the United States Green Building Council

*Testing at loads above 250 psi is outside the scope of the test method. Since testing is conducted on uninstalled flooring, results do not consider the performance of the adhesive, underlayment, or subfloor. These test results are not an indicator of the installed flooring system performance. **Using the James Machine as described in D2047 and as directed in UL 410 for floor covering materials (FCM) using a leather foot under dry conditions. The application of site-applied floor sealers, polishes and other types of finishes routinely used to maintain resilient flooring materials will change the walking surface and consequently the SCOF value.

