

RIGID CORE FLOORING

Rest & Refuge™

Product Information

Construction - Rigid Core

International Specifications - ASTM F 3261, Class I, Type B, Grade 1, Backing Class B

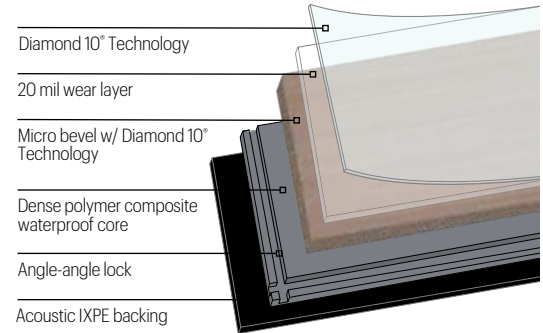
Overall Thickness - 6.5 mm (0.25 in.)

Wear Layer Thickness - 20 mil (0.5 mm)

Factory Finish - Diamond 10® Technology

Installation - Floating

Maintenance Options - No Polish - No Buff, Spray Buff, Polish



Packaging

Size	Pieces per Carton/Coverage	Shipping Weight per Carton
8.85 in. x 60 in. (225 mm x 1524 mm)	6 (22.14 sq. ft.) 2.06 m ²	43.85 lbs. (19.89 kg)

Testing

ASTM F3261			
Performance	Test Method	Requirement	Performance vs. Requirement
Thickness	ASTM F387	As specified ± 0.008 in. (0.20 mm)	Meets
Wear Layer Thickness	ASTM F410	0.020 in. (0.5 mm) minimum for Commercial Use	Meets
Width	ASTM F2421	± 0.016 in. (0.040 mm)	Meets
Length	ASTM F2421	± 0.080 in. (2 mm)	Meets
Squareness	ASTM F2421	0.010 in. maximum	Meets
Thickness Swell	ASTM F3261	Max 5% swell	Meets
Openings, Avg / Max	ISO 24337	Oavg ≤ 0.004 in. (0.1 mm) / OM ≤ 0.008 in. (0.2 mm)	Meets
Ledging, Avg / Max	ISO 24337	Havg ≤ 0.004 in. (0.1 mm) / HM ≤ 0.006 in. (0.15 mm)	Meets
Residual Indentation	ASTM F1914	Avg. ≤ 0.007 in. (0.18 mm)	Meets
Surface Integrity	ASTM F1914	No puncture thru wear layer/décor in to rigid core	Meets
Dimensional Stability	ASTM F2199 ISO 23999	0.2% per lin. ft (305 mm)	Meets
Curl	ASTM F2199 ISO 239999	Max 0.080 in. (2 mm)	Meets
Chemical Resistance	ASTM F925	No more than slight change in surface dulling, attack or staining	Meets
Resistance to Heat	ASTM F1514	ΔE < 8	Meets
Resistance to Light	ASTM F1515	ΔE < 8	Meets
Static Load Resistance @ 250	ASTM F970	< 0.005 in.	Meets
Additional Testing			
Static Coefficient of Friction*	ASTM D2047/UL 410	≥ 0.5	Meets
Static Load Resistance	ASTM F970**	< 0.005 in.	2000 psi
Fire Test Data – Flame Spread	ASTM E648	0.45 W/cm ² or more Class 1	Meets
Fire Test Data – Smoke Evolution	ASTM E662	450 or less	Meets
Fire Test Data – Canada	CAN/ULC S1202.2	Use dependent	Flame Spread - 0 Smoke Developed - 45
ADA Standards for Accessible Design	Chapter 3, Section 302.1	Floor surfaces shall be stable, firm and slip resistant	Meets
Acoustics	ASTM E492	IIC ≥ 50 (International Building Code)	Exceeds - 6 in. concrete, no ceiling - IIC 55 Exceeds - 8 in. concrete, no ceiling - IIC 57
	ASTM E90	STC ≥ 50 (International Building Code)	Meets - 6 in. concrete, no ceiling - STC 50 Exceeds - 8 in. concrete, no ceiling - STC 53
	ASTM E2179	Sound Transmission Reduction	ΔIIC - 23

RIGID CORE FLOORING

Rest & Refuge™

Sustainability

WELL v1 Feature

Air	Feature 04 - VOC Reduction
	Feature 11 - Fundamental Material Safety
	Feature 25 - Toxic Material Reduction
Mind	Feature 97 - Material Transparency
	Feature 88 (Part 2) Biophilia I - Qualitative
	Feature 99 - Beauty and Design II

Rest & Refuge

✓
✓
✓
✓
✓
✓

Contribution

Tested and third party certified by FloorScore® as complying with CDPH v1.2
Product is free of asbestos and added lead (Part 1)
Free of flame retardants (Part 2) and phthalates (Part 3)
Readily available Health Product Declaration® (HPD) to 1000 ppm
Products available that incorporate nature patterns
Provided patterns and colors to aid in wayfinding and spatial familiarity (Part 3)

WELL v2 Feature

Air	Feature X11
	Long-Term Emission Control
	Feature X01
Materials	Fundamental Material Precautions
	Feature X10
	Volatile Organic Compound
Mind	Feature X14
	Material Transparency
Mind	Feature M02
	Access to Nature
Community	Feature C13 (Part 2)
	Accessibility and Universal Design

Rest & Refuge

✓
✓
✓
✓
✓
✓

Contribution

Flooring is tested and third party certified by FloorScore as complying with CDPH v1.3
Product is free of asbestos
Free of flame retardants (Part 2) and phthalates (Part 3)
Readily available Health Product Declaration (HPD) to 1000 ppm
Products available that incorporate nature patterns
Provided patterns and colors to aid in wayfinding and spatial familiarity

LEED™ v4.1

BPDO - EPD
BPDO - Material Ingredient
Location of Manufacturer
Low Emitting Flooring

Rest & Refuge

Industry Average
HPD
China
Tested and third party certified by FloorScore as complying with CDPH v1.2

Carbon Footprint

Global Warming Potential, including Biogenic Carbon
Raw Materials (A1) through Production (A3)

Rest & Refuge

1.92 Kg CO ² eq. / square foot
(20.50 Kg CO ² eq. / square meter)

Limited Warranty

20-year Commercial Warranty when installed in strict accordance with the detailed instructions.

Visit ArmstrongFlooring.com

for complete Product, Technical, Adhesives, Installation & Maintenance recommendations.

F10505-122

Armstrong and the Armstrong logo are under license from AWI Licensing LLC. | All other trademarks are owned by AFI Licensing LLC. | © 2022 AFI Licensing LLC. FloorScore® is a registered trademark of the Resilient Floor Covering Institute. | LEED® is a registered trademark of the United States Green Building Council. The Health Product Declaration® logo is a registered trademark of HPD Collaborative

* Using the James Machine as described in D2047 and as directed in UL 410 for floor covering materials (FCM) using a leather foot under dry conditions. The application of site-applied floor sealers, polishes and other types of finishes routinely used to maintain resilient flooring materials will change the walking surface and consequently the SCOF value. ** Testing at loads above 250 psi is outside the scope of the test method. Since testing is conducted on uninstalled flooring, results do not consider the performance of the adhesive, underlayment, or subfloor. These test results are not an indicator of the installed flooring system performance.

