

PRODUCT SPEC PAGE

Rigid Core Essentials™

Rigid Core Flooring

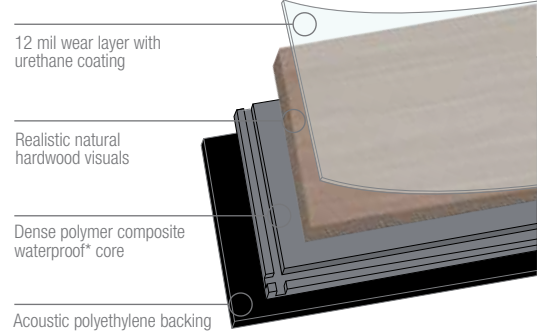
Product Information

Construction	Product Line	International Product Specifications	Overall Thickness Wear Layer Thickness	Factory Finish	Installation	Maintenance Options
Rigid Polymeric Core Modular Resilient Flooring	Rigid Core Essentials™	ASTM F 3261, Class I, Type B, Backing Class B	0.20 in. (5 mm)	UV-cured Polyurethane	Floating Full Spread Adhesives S-288 Premium	No Polish - No Buff Polish

Packaging

Tile Size	Tiles per Carton/ Coverage	Shipping Weight per Carton
6 in. x 48 in. (144 mm x 1213 mm)	10 – 18.80 ft ² (1.75 m ²)	31.2 lbs./carton (141.8 kg)

Product Structure



Testing

	Performance	Test Method	Requirement	Performance vs. Requirement
ASTM F 3261	Thickness, product without foam thickness With foam back layer	ASTM F 387	as specified ±0.005 in. (0.13 mm)	Meets
	Size, tolerance - Up to 12 in. Plank length ≥24 in. < 48 in.	ASTM F 2055	±0.016 in. (0.40 mm) ±0.060 in. (1.5 mm)	Meets
	Squareness	Squareness	Squareness	Squareness
	Flatness - Max	ISO 24337	Fw ± 0.008 in. (0.2 mm) for planks or tiles ≤ 9 in. (229 mm) wide Fw concave ≤ 0.15% / Fw convex ≤ 0.20% for all other widths Fl concave ≤ 0.50% / Fl convex ≤ 1.00%	Meets or exceeds
	Openings, Avg / Max	ISO 24337	Oavg ≤ 0.004 in. (0.1 mm) / OM ≤ 0.008 in. (0.2 mm)	Meets
	Ledging, Avg / Max	ISO 24337	Havg ≤ 0.004 in. (0.1 mm) / HM ≤ 0.006 in. (0.15 mm)	Meets
	Curl	ASTM F2199 ISO 239999	Max 0.080 in. (2 mm)	Meets or exceeds
	Residual Indentation	ASTM F 1914	avg. ≤ 0.007 in. (0.18 mm)	Meets or exceeds
	Chemical Resistance	ASTM F 925	No more than slight change in surface dulling, attack or staining	Meets
	Resistance to Heat	ASTM F 1514	ΔE < 8 avg., max.	Meets
	Resistance to Light	ASTM F 1515	ΔE < 8 avg., max.	Meets
	Static Load Resistance @250 PSI	ASTM F 970	≤ 0.005 in.	Meets

* When exposed to water planks will not swell, buckle or lose integrity. See warranty for details.

PRODUCT SPEC PAGE

Rigid Core Essentials™

Rigid Core Flooring

Testing Continued

	Performance	Test Method	Requirement	Performance vs. Requirement
Additional Testing	Static Load Resistance	ASTM F 970**	≤ 0.005 in.	1500 psi
	Dimensional Stability	ASTM F2199	0.2 % / lineal ft (305 mm) max	Meets
	Fire Test Data – Flame Spread	ASTM E 648	0.45 w/cm ² or more Class I	Meets
	Fire Test Data – Smoke Evolution	ASTM E 662	450 or less	Meets
	Fire Test Data – Canada	CAN/ULC S-102.2	Use dependent	Flame Spread - 15 Smoke Developed - 170
	ADA Standards for Accessible Design	Chapter 3 Section 302.1	Floor surfaces shall be stable, firm and slip resistant	Meets
	Static Coefficient of Friction [^]	ASTM D2047 / UL 410	≥ 0.5	Meets

** Testing at loads above 250 psi is outside the scope of the test method. Since testing is conducted on uninstalled flooring, results do not consider the performance of the adhesive, underlayment, or subfloor. These test results are not an indicator of the installed flooring system performance.

[^] Using the James Machine as described in ASTM D2047 and as directed in UL 410 for floor covering materials (FCM) using a leather foot under dry conditions. The application of site-applied floor sealers, polishes and other types of finishes routinely used to maintain resilient flooring materials will change the walking surface and consequently the SCOF value.

Sustainability and Well-Being

Certification Attribute	Standard	3rd party Certification/Certifier
Low Emitting Material	CDPH v1.1 (2017) a.k.a CHPS 01350	FloorScore/SCS
Environmental Product Declaration (Industry EPD)	ISO 14025 and ISO 21930	Yes/ULE

Performance	Standard	Requirements	Performance vs. Requirements
TVOC Range	CDPH v1.1 (2017) a.k.a CHPS 01350	<0.5 mg/m ³	Meets
Low Emitting Adhesives S-288	FloorScore®/SCAQMD	Less than 50 g/L	S-288 Exceeds - 14 g/L
Fundamental Material Safety Toxic Materials Reduction	WELL® Feature 11 and 25	No asbestos, free of lead and phthalates (DEHP, DBP, BBP, DIDP, DNOP)	Meets
Acoustics	ASTM E492 ASTM E90 ASTM E2179	International Building Code International Building Code Sound transmission reduction	Exceeds IIC (55 on 6" concrete) Exceeds STC (51 on 6" concrete) Meets Delta IIC (ΔIIC) – 25
IBC	ASTM E492	50 IIC	Exceeds IIC (55 on 6" concrete)
IBC	ASTM E90	50 STC	Exceeds STC (51 on 6" concrete)

Limited Warranty

7-year Commercial Warranty when installed in accordance with the current edition of the Armstrong Flooring Guaranteed Installation Systems manual (F-5061)

ArmstrongFlooring.com/commercial | 1 888 276 7876



F-10274-920
Printed in United States of America.

© 2020 AFI Licensing LLC.
Armstrong® and Armstrong Logo are trademarks of AFI Licensing LLC.
All other marks are trademarks of Armstrong Flooring, Inc. or its subsidiaries.
FloorScore® is a registered trademark of the Resilient Floor Covering Institute.