

# PRODUCT SPEC PAGE

## Abode®

Heterogeneous Light Commercial Sheet Flooring

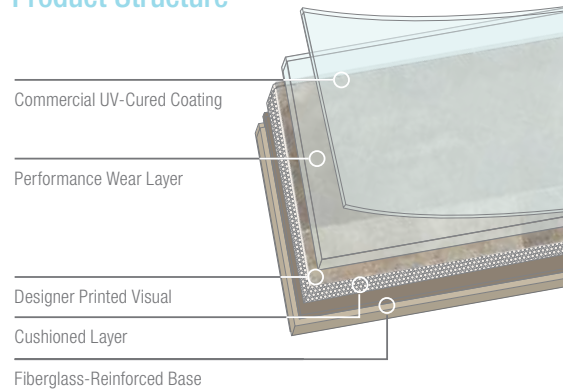
### Product Information

Construction	Product Line	International Product Specifications	Overall Thickness Wear Layer Thickness	Factory Finish	Installation	Maintenance Options
Heterogeneous	Abode®	ASTM F1303 Type I, Grade 1, Class B Backing ISO 10582, Type I	0.080 in. (2.0 mm) 0.020 in. (0.50 mm)	UV-cured Polyurethane	Full Spread Adhesives: S-288, S-289 Releasable Seams: S-500 Seam Coater or S-761 Seam Adhesive	Polish No Polish – Spray Buff

### Packaging

Roll Length	Roll Width	Shipping Weight per Roll
Up to 109 ft. (33.2 m)	12 ft. (3.66 m)	Approx. 4.3 lbs. /sq. yd. (2.33 kg/m <sup>2</sup> )

### Product Structure



### Testing

	Performance	Test Method	Requirement	Performance vs. Requirement
ASTM F1303	Wear Layer Composition	Certificate of Compliance	90% binder	Meets
	Wear Layer Thickness	ASTM F410	≥ 0.020 in.	Meets
	Total Thickness	ASTM F386	≥ 0.040 in.	Meets
	Residual Indentation	ASTM F1914	≤ 0.012 in.	Meets
	Static Load Resistance @ 175 psi	ASTM F970	≤ 0.005 in.	Meets
	Flexibility	ASTM F137	¼ inch mandrel, no cracks or breaks in wear surface	Meets
	Resistance to Chemicals	ASTM F925	No more than slight change in surface dulling, attack or staining	Meets
	Resistance to Heat	ASTM F1514	Max. avg. ΔE ≤ 8	Meets
	Resistance Light	ASTM F1515	Max. avg. ΔE ≤ 8	Meets
	Additional Testing	Static Load Limit	ASTM F970	≤ 0.005 in.
Fire Test Data – Flame Spread		ASTM E648	0.45 W/cm <sup>2</sup> or more Class I	Meets
Fire Test Data – Canada		CAN/ULC S102.2	Use dependent	Flame Spread – 210 Smoke Developed – 435
Acoustics		ASTM E2179	Sound transmission reduction	Meets – Delta IIC (ΔIIC) – 12

# PRODUCT SPEC PAGE

## Abode®

Heterogeneous Light Commercial Sheet Flooring

### Sustainability

Certification Attribute	Standard	3rd party Certification/Certifier
Low-Emitting Material	CDPH v1.1 (2017) a.k.a CHPS 01350	FloorScore®/SCS
Environmental Product Declaration (EPD)	ISO 14025	Yes/ASTM International
Plant Certifications	ISO 9001 – Quality Standards ISO 14001 – Environmental Management	Certified

Performance	Standard	Requirements	Performance vs. Requirements
TVOC Range	CDPH v1.1 (2017) a.k.a CHPS 01350	<0.5 mg/m <sup>3</sup>	Meets
Low Emitting Adhesives* (S-288**, S-289)	SCAQMD Rule #1168	Less than 50 g/L	S-288 Exceeds –14 g/L S-289 Exceeds –11 g/L
Material Ingredients (Option 1)	LEED® v4	Content disclosure to 1000 ppm	Meets (See Armstrong Flooring Product Declaration)
Acoustics	ASTM E2179	Sound transmission reduction	Meets – Delta IIC (ΔIIC) –12

\* All adhesives are FloorScore® certified.  
\*\* S-288 Adhesive is Cradle to Cradle™ Gold certified.

### Limited Warranty

5-year Commercial Warranty when installed in strict accordance with the Armstrong Flooring Guaranteed Installations Systems manual, F-5061.