

## PRODUCT SPEC PAGE

### DecorArt® Rejuvenations™ Classics

#### Heterogeneous Sheet Flooring

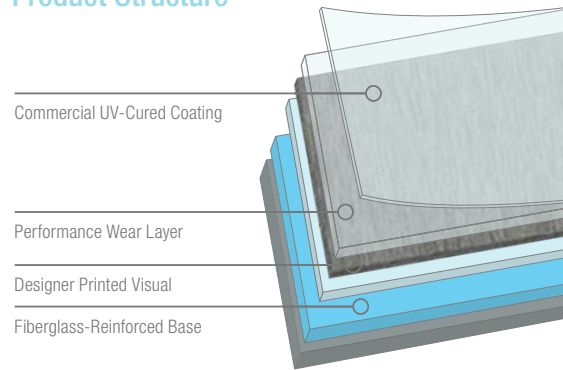
#### Product Information

Construction	Product Line	International Product Specifications	Overall Thickness Wear Layer Thickness	Factory Finish	Installation	Maintenance Options
Heterogeneous	Rejuvenations™ Classics	ASTM F1303 Type I, Grade 1, Class B Backing ISO 10582, Type I	0.080 in. (2.0 mm) 0.022 in. (0.55 mm)	UV-cured Polyurethane	Full-Spread Adhesives: S-599, S-543, Flip® Spray Adhesive S-240 Epoxy, S-580 Flash Cove Adhesive Seams: Heat Weld or S-761 Seam Adhesive	Polish No Polish – No Buff No Polish – Spray Buff

#### Packaging

Roll Length	Roll Width	Shipping Weight per Roll
Up to 82 ft. (25 m)	6 ft. (1.83 m)	Approx. 6 lbs./sq. yd. (3.3 kg/m <sup>2</sup> )

#### Product Structure



#### Testing

	Performance	Test Method	Requirement	Performance vs. Requirement
ASTM F 1303	Wear Layer Composition	Certificate of Compliance	90% binder	Meets
	Wear Layer Thickness	ASTM F 410	≥ 0.020 in.	Meets
	Total Thickness	ASTM F 386	≥ 0.040 in.	Meets
	Residual Indentation	ASTM F 1914	≤ 0.012 in.	Meets
	Static Load Resistance @ 175 psi	ASTM F 970	≤ 0.005 in.	Meets
	Flexibility	ASTM F 137	1/4 inch mandrel, no cracks or breaks in wear surface	Meets
	Resistance to Chemicals	ASTM F 925	No more than slight change in surface dulling, attack or staining	Meets
	Resistance to Heat	ASTM F 1514	Max. avg. ΔE ≤ 8	Meets
	Resistance to Light	ASTM F 1515	Max. avg. ΔE ≤ 8	Meets
	Static Load Limit	ASTM F 970	≤ 0.005 in.	750 psi (52.73 kg/cm <sup>2</sup> )
Additional Testing	Fire Test Data – Flame Spread	ASTM E 648	0.45 W/cm <sup>2</sup> or more Class I	Meets
	Fire Test Data – Smoke Evolution	ASTM E 662	450 or less	Meets
	Fire Test Data – Canada	CAN/ULC S102.2	Use dependent	Flame Spread – 15 Smoke Developed – 95
	Wear Group Classification per EN649-volume loss	EN660-2	--	Wear Group T ≤ 2.0 mm <sup>3</sup>
	ADA Standards for Accessible Design	Chapter 3 Section 302.1	Floor surfaces shall be stable, firm and slip-resistant	Meets
	Static Coefficient of Friction*	ASTM D 2047/UL 410	≥ 0.5	Meets

\* Using the James Machine as described in D2047 and as directed in UL 410 with a leather foot under dry conditions. The application of site-applied floor sealers, polishes and other types of finishes routinely used to maintain resilient flooring materials will change the walking surface and consequently the SCOF value.

# PRODUCT SPEC PAGE

## DecorArt® Rejuvenations™ Classics

Heterogeneous Sheet Flooring

### Sustainability

Certification Attribute	Standard	3rd-party Certification/Certifier
Low-Emitting Material	CDPH v1.2 (2017) a.k.a CHPS 01350	FloorScore®/SCS
Environmental Product Declaration (EPD)	ISO 14025	Yes/ASTM International
Plant Certifications	ISO 9001 – Quality Standards ISO 14001 – Environmental Management	Certified/KSA

Performance	Standard	Requirement	Performance vs. Requirement
TVOC Range	CDPH v1.2 (2017) a.k.a CHPS 01350	<0.5 mg/m <sup>3</sup>	Meets
Low-Emitting Adhesives (S-543, S-599, S-240, Flip® Spray Adhesive)	SCAQMD Rule #1168	Less than 50 g/L	S-543 Exceeds – 0 g/L S-599 Exceeds – 14 g/L S-240 Exceeds – 10 g/L Flip® Exceeds – 0 g/L
Material Ingredients/Transparency	LEED® v4 (Option 1) Well™ Feature 97	Content disclosure to 1000 ppm	Meets (See Armstrong Flooring Product Declaration)
Fundamental Material Safety Toxic Materials Reduction	WELL™ Feature 11 and 25	No asbestos, free of lead and phthalates (DEHP, DBP, BBP, DIDP, DNOP)	Meets

### Limited Warranty

5-year Commercial Warranty when installed in strict accordance with the Armstrong Flooring Guaranteed Installations Systems manual, F-5061.

ArmstrongFlooring.com/commercial | 1 888 276 7876



F10163-418  
Printed in United States of America.  
© 2018 AFI Licensing LLC.

Armstrong® and the Armstrong Logo are trademarks of AWI Licensing LLC.  
LEED® is a registered trademark of the United States Green Building Council.  
All other marks are trademarks of Armstrong Flooring, Inc. or its subsidiaries.