

EMPOWER™ RIGID CORE INSTALLATION INSTRUCTIONS

PRODUCT INFORMATION

Floating and Glue Down

Suitable for installation on all grade levels

KEYS TO SUCCESSFUL LOCKING INSTALLATION:

- Most installations will need approximately a 10% cutting allowance added to the square footage of the room.
- Proper conditioning of the job site is necessary. Flooring planks should not be exposed to sudden changes in temperature.
- Store, transport and handle the flooring planks in a manner to prevent any distortions. Distortions will not disappear over time. Store cartons flat, never on edge. Ensure that the flooring planks are lying flat at time of installation.
- Installations of carpet, metal strips and other transition moldings should not push fully into the flooring and should allow for some slight movement wherever practical.
- Protect the floor from heavy-rolling loads, other trades, and movement of appliances by using sheets of plywood or similar.
- Where the room is larger than 40' (12.19 m) but less than 80' (24.38 m) in plank length or wider than 26' (7.92 m) but less than 52' (15.85 m) in plank width, a minimum of 1/2" (12.7 mm) expansion zone is required around the perimeter of the room as well as against any fixed objects or Multi-Purpose moldings must be used to compensate for this movement.

INFORMATION

Empower Rigid Core can be installed using either floating (no adhesive required) or glue-down methods. In either case, the planks should be installed 1/4" away from all vertical surfaces such as walls, pipes, etc. When installed in bathrooms, the gap should be filled and sealed with a good quality siliconized or acrylic caulk. The gap can then be covered with molding or wall base. Islands and base cabinets may be installed on top of the planks in homes and residential units.

PRECAUTIONS

WARNING!: Sawing, sanding, machining this product produces respirable dust, which may include crystalline silica. Crystalline silica is known to the State of California to cause cancer. For more information go to www.P65Warnings.gov. **MAY CAUSE CANCER; MAY CAUSE RESPIRATORY IRRITATION, CAUSES DAMAGE TO ORGANS THROUGH PROLONGED OR REPEATED EXPOSURE.**

Precautions: If power tools are used, they should be equipped with a dust collector and used in a well-ventilated area. If high dust levels are encountered, use an appropriate NIOSH-designated dust mask. Avoid dust contact with eyes and skin.

First aid: In case of irritation, flush eyes or skin with water for at least 15 minutes. Remove to fresh air if exposed to large amounts of dust.

WARNING: EXISTING IN-PLACE RESILIENT FLOOR COVERING AND ASPHALTIC ADHESIVES. DO NOT SAND, DRY SWEEP, DRY SCRAPE, DRILL, SAW, BEADBLAST, OR MECHANICALLY CHIP OR PULVERIZE EXISTING RESILIENT FLOORING, BACKING, LINING FELT, ASPHALTIC "CUTBACK" ADHESIVE, OR OTHER ADHESIVE.

These **existing in-place products** may contain asbestos fibers and/or crystalline silica. Avoid creating dust. Inhalation of such dust is a cancer and respiratory tract hazard. Smoking by individuals exposed to asbestos fibers greatly increases the risk of serious bodily harm. Unless positively certain that the existing in-place product is a non- asbestos-containing material, you must presume it contains asbestos. Regulations may require that the material be tested to determine asbestos content and may govern removal and disposal of material.

See current edition of the Resilient Floor Covering Institute (RFCI) publication Recommended Work Practices for Removal of Resilient Floor Coverings for instructions on removing all resilient floor covering structures or contact your retailer or Armstrong Flooring Inc. 1 800 233 3823.

The floor covering or adhesive in this package does NOT contain asbestos.

TOOLS

- Tapping Block
- Pull Bar
- Saw
- Spacers

- OSB-3/4"
- Particleboard 40lb. density or wafer board

For additional information relative to installation and subfloor preparation please refer to the Subfloors and Underlayments section of the Armstrong Guaranteed Installation System manual, F-5061. or the Subfloors and Underlayments subsection.

DO NOT INSTALL OVER:

- Existing resilient tile floors that are below grade
- Existing cushion-backed vinyl flooring
- Carpet
- Hardwood flooring that has been installed directly over concrete
- In rooms with sloping floors or floor drains

JOBSITE PREPARATION

- All substrates must be structurally sound, dry, clean, flat, and smooth with minimal deflection. Substrates must be free from excessive moisture or alkali. Remove dirt, paint, varnish, wax, oils, solvents, other foreign matter and contaminants.

- Variations in subfloor flatness should not exceed 3/16" in 10' (4.76 mm in 3.05 m) or 1/8" in 6' (3.17 mm in 1.83 m). Level floors with a suitable cement-based self-leveling underlayment following the manufacturer's recommended guidelines

- Do not use products containing petroleum, solvents or citrus oils to prepare substrates as they can cause staining and expansion of the new flooring.

- For renovation or remodel work, remove any existing adhesive residue so that 100% of the overall area of the original substrate is exposed.

- Ceramic and marble grout joints, and irregularities in concrete should be filled and leveled using S-194 Flooring Patch, Underlayment & Embossing Leveler mixed with S-195 Underlayment Additive to fill and smooth any embossing in the old floor.

- The area to receive resilient flooring materials and adhesives should be maintained between 65° F (18° C) and 85° F (29° C) for 48 hours before installation, during installation, and 48 hours after completion. Maintain temperatures between 32°F (13°C) and 100°F (38°C) thereafter.

SUBFLOORS & SUBSTRATES

All substrates listed below must be properly prepared and meet certain requirements. There may be other exceptions and special conditions (as noted below) for these substrates to be suitable for the locking installation system.

- Concrete - dry and smooth on all grade levels
- Suspended wood subfloors with approved wood underlayments - must have minimum of 18" well ventilated crawl space underneath
- Suspended hardwood flooring that is fully adhered, smooth and square edge without texture
- Single-layer, fully-adhered, existing resilient floors - must not be foam-backed or cushionbacked
- Ceramic tile, Terrazzo, Marble
- Polymeric Poured Floors (seamless)

- For concrete substrates, conduct moisture testing. Bond tests must also be conducted for compatibility with the substrate for glue down applications. Please refer to the Moisture Testing and Bond Test recommendations found on www.floorexpert.com for details.
- Radiant heated substrates must not exceed a maximum surface temperature of 85°F (29°C).
- The subfloor panels must have a smooth, sanded face and show no swelling of edges or surface due to exposure to weather conditions or construction traffic.
- There are numerous products available for use as floor fills, patches, self-leveling underlayments, and trowelable underlayments. They include proprietary blends of compounds such as portland cement, calcium aluminates, and gypsum-based products. These are recommended by their manufacturers for smoothing rough or uneven subfloors, enhancing acoustical and fire characteristics of structures or as substrates to receive floor covering for otherwise unsuitable subfloor conditions. If the subfloor surface appears to be dusty then apply S-185 to the surface.
- This product can be installed into a room then the temperature can be raised to 140°F for a maximum of 24 hours.

PROCEDURE: GLUE DOWN OPTION

ARMSTRONG S-288 FLOORING ADHESIVE

Apply S-288 adhesive to 1/2 of the area at a time so that you can start the installation along the center starting line (see Layout & Fitting). Begin laying planks along the center starting line and install row by row including the cut pieces at the perimeter until 1/2 of the installation is complete. Stagger the end joints by at least 6 inches (15.2 cm). Apply adhesive to the remaining portion of the room, allow the adhesive to dry to touch and complete the installation of planks in similar fashion.

Dry to Touch - Approximately 30 minutes (tacky to touch with no transfer to fingers).

Use S-891 Fine Notch Trowel (1/32" (0.8 mm deep, 1/16" (1.6 mm) wide and 5/64" (2 mm) apart.)

After the planks are installed, immediately roll the entire floor with a 100 lb. roller. Use a hand roller in confined areas where the large floor roller will not reach, such as under toe kicks.

The planks may be walked on immediately; however, the floor should not be exposed to heavy rolling load traffic for 72 hours after the installation. Use pieces of hardboard or underlayment panels to protect the floor when moving heavy furniture and appliances back into the room.

SAFETY AND CLEAN UP:

Wet adhesive should be cleaned up immediately with soap and water on a clean cloth. Dried adhesive may require the use of a solvent adhesive cleaner.

LAYOUT & FITTING

INSTALLATION PREPARATION:

Remove baseboard, quarter-round moldings, wall base, appliances and furniture from room. For best results, door trim should be under-cut to allow flooring to move freely without being

pinched. After preparation work, sweep and vacuum the entire work area to remove all dust and debris.

Whenever possible, plan the layout so that the joints in the planks do not fall on top of joints or seams in the existing substrate. The end joints of the planks should be staggered a minimum of 6" apart. Do not install over expansion joints. Avoid installing pieces shorter than 8' (20.32 cm).

Determine which direction the plank will run. Find the center of each of the end walls (the walls perpendicular to the long dimension of the planks and place a pencil mark on the floor. Connect these points by striking a chalk line down the center of the room. Do a dry layout of planks from the center line to the wall running parallel to the long direction of the planks to determine the width of the last row of planks (refer to Figure 1).

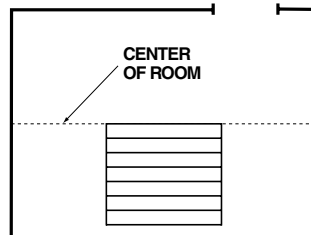


Fig. 1 - Dry layout to determine width of border plank.

Avoid having border pieces less than 1/2 the width of a plank. If you find the border planks will be less than 1/2 the width of the plank, the center starting line should be shifted a distance equal to 1/2 the plank width. This will "balance" the room and provide for a larger cut piece at the wall.

INSTALLATION METHODS

Note: The subfloor must be thoroughly free from dust and debris. If the subfloor is dusty this may affect the product performance.

Note: Stagger end joints by 6". Cut pieces at the ends of rows should be 8" long or longer.

Position the first plank so that grooved edge is facing you. Install the product from left to right in the room. See Figure 2 for position of initial plank in the room.

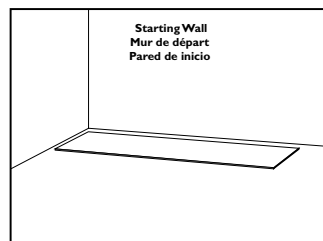


Fig. 2 - Left corner of starting wall.

Occasionally, it may be necessary to install backwards. This may be done by sliding the grooves under the tongues and working them right to left, but this is more difficult.

Install First Row:

1. Inspect each piece prior to installation for damaged planks.
2. To minimize pattern repeats, always pull from at least 3 cartons while installing.
3. Install the second plank in the initial row by

angling the end tongue into the end groove of the first plank. Install second and subsequent full pieces in the initial, or first, row by aligning short ends of the planks and locking into place. (see figure 3).

4. Use spacers along all sides that butt up against walls to maintain 1/4" (6.35 mm) to 1/2" (12.7 mm) expansion zone. Where the room is larger than 40' (12.19 m) but less than 80' (24.38 m) in plank length or wider than 26' (7.92 m) but less than 52' (15.85 m) in plank width, a minimum of 1/2" (12.7 mm) expansion zone is required around the perimeter of the room as well as against any fixed objects.



Fig. 3 - Angle end tongue into end groove on planks in the initial row

5. When measuring the last piece in the row, subtract 1/4" (6.35 mm) from the end of the board to maintain expansion zone.
6. Cut decorative side up if using a hand saw or decorative side down if using a power saw to minimize chipping. A shear tool may also be used.
7. If the cut-off piece from the first row is 8" (20.32 mm) or longer, use it to start the second row. If it is less than 8" (20.32 mm), cut a full board in half and use that.

Install Remaining Rows:

1. Continue laying planks, one row at a time and staggering the end joints.
2. Install the first plank in the second row (and subsequent rows) by inserting the side tongue into the groove of the adjacent plank in the first row (see figure 4).



Fig. 4 - Angle long side into prior row.

3. Keep this at its natural angle slightly raised off the subfloor. Then angle the short end of the next plank in the row to lock into the previous plank (see Figure 5).



Fig. 5 - Angle end of next plank

4. Then align the plank so the long side tongue is positioned just over the groove lip of the adjacent plank in the prior row. Working from

the end joint, with a low angle, insert the long side tongue into the groove of the adjoining plank (see figure 6) until you feel the tongue lock into the groove.



Fig. 6 - Locking long side with ends already locked

5. Continue installing planks across a row until you reach the wall on your right.

Continue installing planks. Maintain a random appearance by offsetting the end joints by least 6 inches. Always be certain that the planks are fully engaged. If slight gapping is noticed, place a cut piece of flooring (bridge piece) in the side groove that spans the ends of two adjacent planks within a row. Then tap the side of the plank with a tapping block. (see figure 7)



Fig. 7 - Tap side of plank with tapping block

When fitting in areas such as door casings it may be necessary to use a flat pull bar to engage the lock.

Continue installing the remaining rows in similar fashion. For planks, maintain the 6" minimum staggered end joints between rows and for planks maintain the 1/4" gap at perimeter and vertical surfaces.

FINISHING THE JOB

Replace molding or wall base, allowing slight clearance between the molding and the planks. Nail the molding to the wall surface, not through the flooring. At doorways and at other areas where the flooring planks may meet other flooring surfaces, it is preferable to use a "T" molding (multi-purpose trim), or similar, to cover the exposed edge but not pinch the planks. Leave a small gap between the planks and the adjoining surface.

COORDINATED TRANSITIONS AND MOLDING PIECES

Armstrong offers specially designed End Cap Molding, Multi-Purpose Trim, Flush Stair Nosing, and Overlap Step Nosing to complete the floor installation.

- When using construction adhesive, weigh down the transition strip evenly to ensure proper contact with the subfloor. Do not use an excessive amount of construction adhesive that could ooze out and fill the expansion zone.
- To allow the floating floor to move freely, never fasten the transition pieces to the flooring.

- Keep the placement of the transition strip such that the 1/4 (6.35 mm) expansion around the perimeter is maintained.
- When installing over a radiant heated floor, always use construction adhesive to attach transition pieces.
- To prevent core from being exposed, add a "return" to the ends of molding at outside corners; for inside corners miter at a 45° angle if corner is square or use a cope saw if corner is not square.

Multi-Purpose Trim



Fig. 8

May be used where the flooring continues through a doorway or passageway into another room.

1. Screw or nail a temporary spacer block 1/2" (12.7 mm) wide and a minimum of 1/2" (12.7 mm) high to the subfloor.
2. Install the floor up to the spacer block using Armstrong spacers to obtain a 1/4" (6.35 mm) expansion zone.
3. Leave the spacer block and spacers in place and complete the entire floor installation.
4. Remove the spacer block and spacers.
5. Install the trim by drilling 1/4" holes at the corresponding plug locations.
6. Install the plugs on the Multi-Purpose trim by sliding them into the ends and moving them into position, aligned with the holes drilled in step 5.
7. Press the anchors into the holes by hand as much as possible. Finish by tapping the trim down with a rubber mallet. If the holes are too large to hold the plug, fill the hole with quick drying adhesive and install the trim and weight it down until the adhesive cures.

End Cap

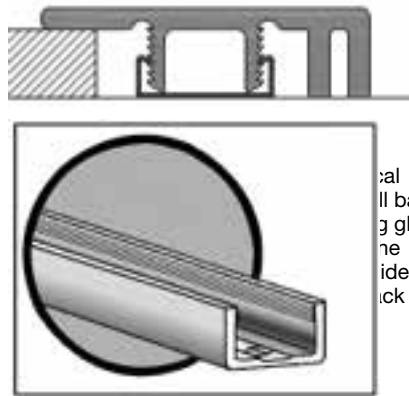


Fig. 10

1. Install the Track so that the outside edge of the Track is 7/16" (11.1 mm) away from vertical surface or adjacent flooring.
2. Install the floor up to the Track using Armstrong spacers to obtain 1/4" (6.35 mm) expansion zone.
3. Snap End Cap into the Track System.

Overlap Stair Nose



Fig. 11

Use where flooring meets a step down or landing using the overlap method or on stair treads using the flush method.

1. Measure and cut step nose to length.
2. Apply construction adhesive to the back of the step nose. Carefully read cautions on container and follow the manufacturer's recommended instructions on the adhesive label.
3. Push the step nose onto the subfloor and anchor the step nose with finish nails.
4. When utilizing a flush installation the adjacent flooring planks must also be adhered to the subfloor (Fig. 12).

Flush fit recommended for series of steps/stairs.

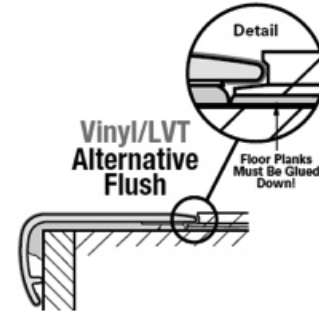


Fig. 12

Flush Stair Nose

Use where flooring meets a landing or on stair treads.



Fig. 13

Tool List

- Table Saw or Miter Saw
- 10" (25.4 cm) 60- or 80-Tooth Carbide-tipped ATB or Triple Chip Saw Blade
- Power Drill
- Hammer
- 6d Finish Nails
- Construction Adhesive
- 5-Minute Epoxy

Optional Tools

- Armstrong EverSeal Adhesive

Preparation of Stair Treads

Treads and risers should be structurally sound, flat, dry, clean, smooth, and free from paint, varnish, wax, oils, solvents, and other foreign matter. Cut off any existing bullnose flush with the riser of the stair (providing the dimension change does not violate local building codes) (Fig. 14).

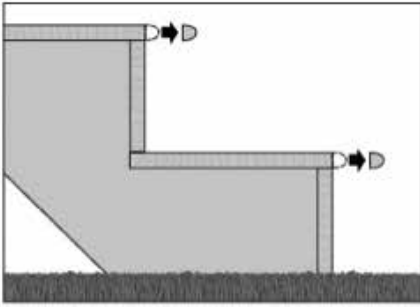


Fig. 14

Installation of Stair Treads

1. Beginning at the bottom riser, measure and cut a piece of flooring to fit flush with the existing stair tread.
2. Glue in place by applying a 3" (7.6 cm) serpentine bead of construction adhesive to the back of the flooring (Fig. 15). Refer to construction adhesive label for all recommendations, warnings and safety precautions.

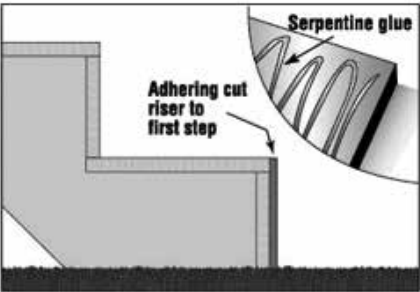


Fig. 15

3. Press in place.
4. Measure and cut stair nose to length.
5. Dry fit the stair nose to the edge of the first tread with the molding nose overlapping the flooring piece on the riser below. Measure the distance from the edge of the stair nose to the next riser (Fig. 16).

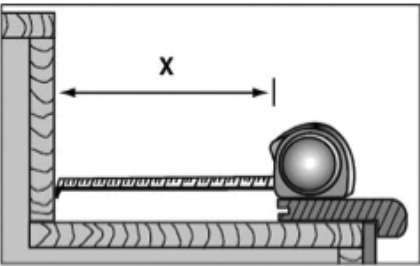


Fig. 16

6. Measure and cut to width and length another piece of flooring for the stair tread. Using a utility knife or table saw, remove the tongue.
7. Apply a bead of construction adhesive in a 3" (7.6 cm) serpentine pattern to the back of the cut piece of stair nose and affix to the stair. (On wood subfloors, drill appropriate size holes into the installed stair nose and anchor with 6d finish nails (Fig. 17). Set nails using a nail punch. Fill holes with a repair stick).

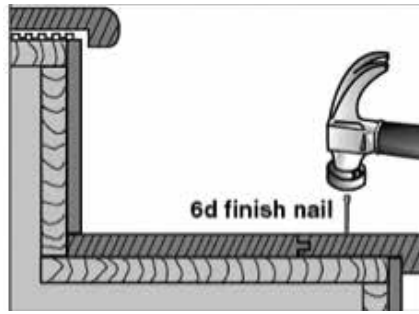


Fig. 17

8. To avoid shifting over concrete, allow enough time for the construction adhesive to set prior to continuing the installation. This time will vary depending upon the adhesive being used.
9. Apply construction adhesive to the tread of the existing stair and spread evenly using a 1/16" x 1/16" x 1/16" (1.59 mm x 1.59 mm x 1.59 mm) square-notch trowel.
10. Apply a bead of adhesive (preferably a 5-minute epoxy) to the lip of the stair nose. Following the manufacturer's recommendations, immediately remove any excess adhesive from the flooring surface.
11. Place the tongue side of the flooring against the stair nose, being sure that the floor plank surface is flush with the stair nose surface.
12. Push pieces together until joint is tight and flush, then remove excess adhesive.
13. Repeat steps 1–12 until installation is complete.
14. Allow 24 hours of curing time before exposing stairs to traffic.

Instructions for Installing Perpendicular to the Stair Nose

1. Measure and cut stair nose to length.
2. If installing stairnose against a groove end, shave the lock down to allow the stairnose to sit flush on the groove (Fig. 18).



Fig. 18

3. Apply a bead of construction adhesive in a 3" (7.6 cm) serpentine pattern to the back of the cut piece of stair nose and affix to the stair. Refer to construction adhesive label for all recommendations, warnings and safety precautions. (On wood subfloors, drill appropriate size holes into the installed stair nose and anchor with 6d finish nails. Set nails using a nail punch. Fill holes with a repair stick.)
4. To avoid shifting over concrete, allow enough time for the construction adhesive to set prior to continuing the installation. This time will vary depending upon the adhesive being used.
5. Using a utility knife or table saw, remove the tongue or groove from the floor plank to be installed to the stair nose.
6. Apply a bead of epoxy or Armstrong Everseal to the end of the plank that will meet the stairnose.

7. Place the piece of flooring into position and gently tap the pieces together using the tapping block.
8. A small, continuous bead of glue must ooze to the surface to ensure a water-resistant joint.
9. Remove the excess glue with a damp cloth followed by wiping with a clean, dry, cotton cloth.

PROACTIVE PROTECTION FOR YOUR FLOOR:

- When moving appliances or heavy furniture it is always wise to lay a plywood panel, or similar, on your floor and "walk" the item across it. This protects your floor from scuffing, gouging and tears.
- Use floor protectors under furniture to reduce indentation. As a general rule of thumb, the heavier the item, the wider the floor protector needed.
- Place a walk-off mat at outside entrances to reduce the amount of dirt brought into your home. We strongly recommend mats without a latex or rubber backing since these backings can cause permanent discoloration.
- All Armstrong floor care products have been specifically developed to care for Armstrong floors.

CARING FOR YOUR FLOOR:

- Sweep or vacuum regularly, to remove loose dirt which can scratch your floor. Note: We do not recommend vacuums that have a beater bar since it can visibly damage your flooring surface. Additionally, we do not recommend electric brooms with hard plastic bottoms with no padding as use may result in discoloration and deglossing.
- Wipe up spills as soon as possible. Never use highly abrasive scrubbing tools on any resilient floor.
- Wash your floor regularly with a vinyl floor cleaner such as Armstrong Once 'n Done® Resilient & Ceramic Floor Cleaner.
- Do NOT use detergents, abrasive cleaners, or "mop and shine" products. These products may leave a dull film on your floor.
- Over time, if the shine on your floor begins to dull, apply Armstrong Satinkeeper® Low Gloss Floor Finish to restore the appearance of your floor. Do NOT use paste wax or solvent based polishes.
- Vinyl flooring, like other types of smooth floors, can become slippery when wet. Allow time for floor to dry after washing. Immediately wipe up wet areas from spills, foreign substance, or wet feet.

INSTRUCTIONS D'INSTALLATION DU EMPOWER^{MC} RIGID CORE

INFORMATION SUR LE PRODUIT

Applications flottantes et collées

Approprié pour une installation à tous les niveaux du sol

CLÉS D'UNE INSTALLATION EMBOITABLE RÉUSSIE :

- Dans la plupart des cas, vous devez prévoir de couper environ 10 % de plus de matériau que la surface de la pièce.
- Le lieu de travail doit être conditionné de façon appropriée. Les planches ne doivent pas être exposées à des variations soudaines de température.
- Entrez, transportez et manipulez les planches de façon à ce qu'elles ne se déforment pas. Les déformations ne disparaîtront pas avec le temps. Entrez les boîtes à plat, jamais sur les bords. Assurez-vous que les planches sont disposées à plat au moment de l'installation.
- La pose de tapis, de bandes métalliques et d'autres moulures de transition ne devrait pas repousser des amas dans le revêtement de sol et devrait permettre un mouvement léger où pratique.
- Utilisez des feuilles de contreplaqué ou autre moyen similaire pour protéger le plancher du passage des objets lourds sur roulettes, des autres corps de métier ou du déplacement des électroménagers.
- Lorsque la pièce a plus de 12,19 m (40 pi) de large mais moins de 24,38 m (80 pi) en longueur de planche ou plus large de 7,92 m (26 pi), mais moins de 15,85 m (52 pi) en longueur de planche, une zone de dilatation minimale de 12,7 mm (1/2 po) est requise autour du périmètre de la pièce, ainsi que contre tout objet fixe. Sinon, des garnitures à usages multiples doivent être utilisées pour compenser ce mouvement.

INFORMATION

Empower Rigid Core peut être installé en utilisant des méthodes flottantes (aucun adhésif requis) ou collées. Dans les deux cas, les planches doivent être installées à 6,35 mm (1/4 po) de toutes les surfaces verticales telles que les murs, les armoires, les tuyaux, etc. Lorsqu'elles sont installées dans les salles de bains, l'espace doit être rempli et scellé avec un produit d'étanchéité de bonne qualité à base de silicone ou d'acrylique. Les îlots et les armoires peuvent être installés sur le dessus des planches dans les maisons et les unités résidentielles. Veuillez consulter le Guide d'application commerciale Armstrong Flooring pour des recommandations d'installation spécifiques dans divers espaces commerciaux.

PRÉCAUTIONS

AVERTISSEMENT! : Le sciage, le ponçage et l'usinage de ce produit produisent de la poussière respirable, qui peut comprendre de la silice cristalline. La silice cristalline est reconnue par l'État de Californie comme pouvant causer le cancer. Pour plus de renseignements, consultez www.P65Warnings.gov. PEUT CAUSER LE CANCER; PEUT CAUSER UNE IRRITATION RESPIRATOIRE, CAUSER DES DOMMAGES AUX ORGANES PAR UNE EXPOSITION PROLONGÉE OU RÉPÉTÉE.

Précautions : Si des outils électriques sont utilisés, ils doivent être équipés d'un collecteur de poussière et utilisés dans un endroit bien ventilé. En cas de niveaux de poussière élevés, utilisez le masque antipoussières homologué par le NIOSH. Évitez tout contact de la poussière avec les yeux et la peau.

Premiers soins : En cas d'irritation, rincez la peau ou les yeux avec de l'eau pendant au moins 15 minutes. Allez à l'air frais si exposé à de grandes quantités de poussière.

AVERTISSEMENT : REVÊTEMENTS DE SOL SOUPLES DÉJÀ EN PLACE ET ADHÉSIFS À BASE D'ASPHALTE. NE PAS PONCER, BALAYER À SEC, GRATTER À SEC, PERCER, SCIER, DÉCAPER NI DÉCHIQUETER OU PULVÉRISER MÉCANIQUEMENT LES REVÊTEMENTS DE SOL SOUPLES EXISTANTS, LES ENDOS DE TAPIS, LES THIBAUDES, LE BITUME ASPHALTIQUE « FLUIDIFIÉ » OU AUTRES ADHÉSIFS.

Ces produits déjà en place peuvent contenir des fibres d'amiante et/ou de la silice cristalline. Évitez de produire de la poussière. L'inhalation d'une telle poussière présente un risque de cancer ou de lésion des voies respiratoires. L'usage du tabac combiné à une exposition aux fibres d'amiante augmente considérablement le risque de maladie grave. À moins d'être certain que le produit ne contient pas d'amiante, vous devez présumer qu'il en contient. La législation pourrait exiger de soumettre les matériaux à des essais pour en déterminer la teneur en amiante et prescrire des méthodes pour enlever et éliminer ces produits.

Pour consulter les instructions de dépose de revêtements de sol souples, consultez l'édition courante de la brochure du Resilient Floor Covering Institute, intitulée Recommended Work Practices for Removal of Resilient Floor Coverings (Méthodes recommandées pour la dépose des revêtements de sol souples). Vous pouvez également communiquer avec votre détaillant ou avec Armstrong Flooring, Inc. en composant le 1 800 233-3823.

Le revêtement de sol et l'adhésif compris dans cet emballage ne contiennent PAS d'amiante.

OUTILS

- Bloc de frappe
- Barre de tirage
- Scies
- Rondelle d'espacement

PLANCHERS BRUTS ET SUPPORTS

Tous les supports ci-après doivent être correctement préparés et répondre à certaines exigences. Certaines exceptions et conditions spéciales (tel qu'indiqué ci-après) peuvent s'appliquer pour que ces supports conviennent au système d'installation emboîtable.

- Béton - sec et lisse sur tous les niveaux de sol
- Planchers bruts suspendus en bois avec sous-couches en bois approuvées et un minimum de 45,7 cm (18 po) d'espace au-dessous pour autoriser la circulation d'air
- Planchers en bois suspendu : collé sur toute la surface, lisse et avec un bord carré, sans

texture.

- Revêtements de sol souples existants à couche unique, collés sur toute la surface — ne doivent pas être muni d'un endos en mousse ou coussiné
- Carreaux de céramique, grano, marbre
- Revêtements de sol en polymère coulés (sans joints)
- OSB-3/4 po
- Panneaux de particules de 40 lb de densité ou panneaux agglomérés

Pour de plus amples renseignements concernant l'installation et la préparation de planchers bruts, reportez-vous à la section Planchers bruts et sous-couches du manuel des Systèmes d'installations garantis Armstrong Flooring, F-5061, ou la sous-section Planchers bruts et sous-couches.

N'EFFECTUEZ PAS LA POSE SUR :

- Un revêtement de sol déjà en place en carreaux souples se trouvant au-dessous du niveau du sol
- Un revêtement de sol en vinyle à endos coussiné
- Tapis
- Un plancher de bois franc installé directement sur du béton
- Dans les pièces au sol en pente ou comprenant des siphons de sol

PRÉPARATION DU LIEU DE TRAVAIL

- Tous les supports doivent être sains, secs, propres, plats et lisses avec fléchissement minimal. Les supports doivent être exempts de tout excès d'humidité ou d'alcali. Enlevez saleté, peinture vernis, cire, huiles, solvants, autres matières étrangères et contaminants.

- Les variations de la planitude du plancher brut ne devraient pas excéder 4,76 mm par 3,05 m (3/16 po par 10 pi) ou 3,17 mm par 1,83 m (1/8 po par 6 pi). Nivelez les planchers au moyen d'une sous-couche autonivelante à base de ciment en suivant les consignes recommandées par le fabricant.
- N'utilisez pas de produits contenant des solvants pétroliers ou des essences d'agrumes pour préparer les supports car ils pourraient tacher ou faire dilater le nouveau revêtement de sol.
- Pour les travaux de rénovation ou de transformation, enlevez tous résidus adhésifs existants de façon à exposer 100 % de la surface totale du support original.
- Les joints remplis de coulis de céramique ou de marbre et les irrégularités du béton devraient être comblés et nivelés à l'aide du produit de ragréage, de sous-couche et de nivellement S-194 mélangé à l'additif S-195 afin d'obtenir un ragréage lisse de l'ancien plancher.
- L'endroit qui sera recouvert de revêtement de sol souple, des matériaux connexes et des adhésifs doivent être maintenue à une température minimale de 18 °C (65 °F) et maximale de 29 °C (85 °F) 48 heures avant la pose, durant la pose et 48 heures après la fin des travaux. Maintenez les températures entre 13 °C (32°F) et 38°C (100°F) par la suite.
- Pour les supports de béton, effectuez des tests d'humidité. Des tests d'adhésion doivent également menés afin d'assurer la compatibilité avec le support pour les applications collées. Reportez-vous aux recommandations des Tests d'humidité et d'adhésion qui se trouvent sur www.floorexpert.com pour les détails.
- La température de la surface des supports chauffés par rayonnement ne doit pas dépasser 29 °C (85 °F).
- Les panneaux du plancher brut doivent avoir une face lisse et poncée et ne présenter aucun relèvement des bords ou de la surface causé par les conditions climatiques ou le va-et-vient des corps de métier de la construction.
- Les produits utilisables comme produits de remplissage pour revêtements de sol, produit de ragréage, sous-couche autonivelante et sous-couche pouvant être étalés à la truelle sont nombreux sur le marché. Ils comprennent des composés exclusifs comme le ciment Portland, des aluminates de calcium et des produits à base de gypse. Leurs fabricants les recommandent pour lisser les planchers bruts rugueux ou inégaux, améliorer la qualité acoustique et ignifuge des structures, ou comme supports pour un revêtement de sol à installer sur un plancher brut dont l'état ne convient pas. Si la surface du plancher brut semble être poussiéreuse, appliquez du S-185 à la surface.
- Ce produit peut être installé dans une pièce, puis la température peut être augmentée à 60 °C (140 °F) pour un maximum de 24 heures.

MARCHE À SUIVRE : OPTION COLLÉE ADHÉSIF POUR REVÊTEMENTS DE SOL S-288 ARMSTRONG

Appliquez l'adhésif S-288 Armstrong Flooring sur la moitié de la pièce à la fois afin de pouvoir commencer l'installation le long de la ligne centrale (voir Disposition et ajustement). Commencez à installer les planches le long de la ligne centrale et installez rangée après rangée y compris les pièces coupées sur le périmètre jusqu'à ce que la moitié de l'installation soit complétée. Décalez les joints d'extrémité d'au moins 15,2 cm (6 po). Appliquez l'adhésif sur l'autre partie de la pièce. Attendez que l'adhésif soit sec au toucher et terminez l'installation des planches de la même façon.

Sec au toucher — Environ 30 minutes (l'adhésif est collant, mais n'adhère pas aux doigts.)

Utilisez la truelle à encoches fines S-891 Profondeur 0,8 mm (1/32 po), largeur 1,6 mm (1/16 po), écart 2 mm (5/64 po).

Une fois toutes les planches installées, roulez immédiatement la totalité du plancher avec un rouleau de 45 kg (100 lb). Utilisez un rouleau à main dans les endroits où le gros rouleau ne peut se rendre, par exemple sous les coups-de-pieds.

On peut marcher sur les planches immédiatement; cependant, il faut éviter d'exposer le plancher à la circulation d'appareils roulants lourds pendant les 72 heures qui suivent l'installation. Utilisez des morceaux de panneaux durs ou autres panneaux de sous-couche pour protéger le revêtement de sol lors du déplacement de meubles et d'appareils ménagers lourds de nouveau dans la pièce

SÉCURITÉ ET NETTOYAGE :

L'adhésif encore humide doit être nettoyé immédiatement avec du savon et de l'eau avec un chiffon propre. L'adhésif séché peut nécessiter l'utilisation de dissolvant d'adhésif.

DISPOSITION ET AJUSTEMENT

PRÉPARATION DE L'INSTALLATION :

Enlevez les plinthes et les quarts-de-rond et sortez les appareils ménagers et les meubles de la pièce. Pour obtenir de meilleurs résultats, les habillages de porte devraient être coupés suffisamment pour permettre au plancher de bouger sans se pincer. Après avoir terminé le travail de préparation, balayez et passez l'aspirateur sur toute la surface pour enlever la poussière et les débris.

Dans la mesure du possible, planifiez la disposition de façon à ce que les joints des planches ne tombent pas par-dessus les joints du support existant. Les joints d'extrémité des planches doivent être décalés d'au moins 15,2 cm (6 po). N'effectuez pas l'installation sur des joints de dilatation. Évitez d'installer des planches d'une longueur inférieure à 20,3 cm (8 po).

Déterminez dans quel sens les planches seront installées. Trouvez le centre de chaque mur d'extrémité (les murs perpendiculaires au sens des planches) et tracez une marque de crayon sur le sol. Reliez les deux marques en claquant une ligne de craie au centre de la pièce. Disposez les planches à sec à partir de la ligne centrale jusqu'au mur parallèle au sens des planches pour déterminer la largeur de la dernière rangée de planches (voir Fig. 1).

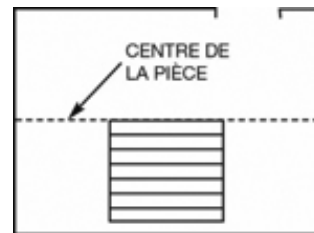


Fig. 1 Disposition à sec pour déterminer la largeur de la planche de bordure.

Évitez d'avoir des planches le long du bord de largeur inférieur à la moitié de la largeur des planches. Si les planches d'extrémité auront moins de la moitié de la largeur normale des planches, déplacez la ligne centrale de l'équivalent d'une demi-planche de large. De cette façon, la pièce sera « équilibrée » et la pièce d'extrémité sera plus large.

MÉTHODE DE POSE

Remarque : Le plancher brut doit être complètement exempt de poussière et de débris. Si le plancher brut est poussiéreux, la performance du produit pourrait être affectée.

Remarque : Décalez les joints d'extrémité de 15,2 cm (6 po). La dernière planche en fin de rangée doit mesurer au moins 20,3 cm (8 po) de long.

Positionnez la première planche de sorte que le bord rainuré est face à vous. Installez le produit de gauche à droite dans la pièce. Consultez la figure 2 pour positionner la première planche dans la pièce.

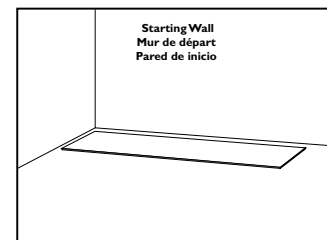


Fig. 2 Coin gauche du mur de départ.

Parfois, il peut être nécessaire d'installer à l'envers. Cela peut être effectué en faisant glisser les rainures sous la languette et en les insérant de droite à gauche, mais c'est plus difficile.

Installation de la première rangée :

1. Vérifiez toujours si chaque planche est en bon état avant de l'installer.
2. Pour réduire les répétitions de motifs, prenez toujours les planches dans au moins trois boîtes différentes pendant l'installation.
3. Installez la deuxième planche de la rangée initiale en orientant la languette d'extrémité dans la rainure d'extrémité de la première planche. Installez la deuxième planche et les planches non coupées suivantes de la première rangée en alignant les côtés courts des planches et en les emboîtant. (voir figure 3).
4. Utilisez des espaceurs le long des côtés qui touchent aux murs pour maintenir un espace de dilatation de 6,35 mm (¼ po) à 12,7 mm (½ po). Lorsque la pièce a plus de 12,19 m (40 pi) de largeur mais moins de 24,38 m (80 pi) en longueur de planche ou plus large de 7,92 m (26 pi), mais moins de 15,85 m (52 pi) en

longueur de planche, un espace de dilatation minimal de 12,7 mm (1/2 po) est requis autour du périmètre de la pièce, ainsi que contre tout objet fixe



Fig. 3 - Incliner la languette d'extrémité dans la rainure d'extrémité sur les planches de la rangée initiale

5. En mesurant la dernière planche de la rangée, soustrayez 6,35 mm (1/4 po) de l'extrémité de la planche pour maintenir un espace de dilatation.
6. Coupez les planches en ayant la face décorative dirigée vers le haut en cas d'utilisation d'une scie à main ou vers le bas en cas d'utilisation d'une scie électrique, afin de minimiser l'éclatement. On peut aussi utiliser un couteau utilitaire.
7. Si le morceau découpé de la première rangée a une longueur d'au moins 20,32 mm (8 po), utilisez-le pour commencer la deuxième rangée. Si la longueur du morceau est inférieure à 20,32 mm (8 po), coupez une nouvelle planche en deux et utilisez celle-ci.

Installation des rangées restantes :

1. Continuez à poser les planches, une rangée à la fois et en décalant les joints d'extrémité.
2. Installez la première planche de la deuxième rangée (et des rangées suivantes) en insérant la languette de côté dans la rainure de la planche adjacente dans la première rangée (fig. 4).



Fig. 4 - Incliner le long côté dans la rangée précédente.

3. Maintenez la planche à son angle naturel, celle-ci étant légèrement relevée par rapport au plancher brut. Ensuite, inclinez l'extrémité courte de la planche suivante de la rangée pour l'emboîter dans la planche précédente (fig. 5).



Fig. 5 - Incliner l'extrémité de la planche suivante

4. Alignez ensuite la planche de sorte que la languette du côté long est positionnée juste

au-dessus de la rainure dans la planche adjacente de la rangée précédente. À partir du joint d'extrémité, avec un angle bas, insérez la languette du côté long dans la rainure de la planche adjacente (fig. 6) jusqu'à ce que la languette s'enclenche dans la rainure.



Fig. 6 - Emboîter le long côté avec les extrémités déjà emboîtées

5. Poursuivez l'installation de la rangée jusqu'à ce que vous atteigniez le mur situé à votre droite.

Continuez l'installation des planches. Pour maintenir une apparence aléatoire, décalez les joints d'extrémité d'au moins 15,2 cm (6 po). Il est important d'emboîter complètement les planches ensemble. Si un léger écart est remarqué, placez un morceau de revêtement de sol (pont) dans la rainure latérale de l'extrémité des deux planches adjacentes dans la rangée. Frappez ensuite sur le côté de la planche avec un bloc de frappe. (voir figure 7)



Fig. 7 - Frapper sur le côté de la planche avec un bloc de frappe.

Lors de l'installation dans des endroits comme des cadres de porte, il peut être nécessaire d'utiliser une barre de tirage plate pour engager l'emboîtement.

Continuez d'installer les autres rangées de la même manière. Pour les planches, maintenez les joints d'extrémité décalés à un minimum de 15,2 cm (6 po) entre rangées et pour planches maintenez un espace de dilatation de 6,35 mm (1/4 po) au périmètre et aux surfaces verticales.

TERMINER LE PROJET

Remettez la moulure ou la plinthe en place, en prévoyant un léger espace entre la moulure et les planches. Clouez la moulure sur la surface murale, pas au plancher. Aux seuils de porte et aux autres endroits où les planches pourraient entrer en contact avec d'autres revêtements de sol, il est préférable d'utiliser une moulure en T (garniture à usages multiples) ou une moulure similaire pour recouvrir le bord exposé, afin de ne pas pincer les planches. Laissez un petit espace entre les planches et la surface attenante.

PIÈCES DE TRANSITION ET MOULURES COORDONNÉES

Armstrong offre des garniture d'extrémité, des garnitures à usages multiples et des nez de marche affleurants et chevauchants conçus spécialement pour terminer l'installation du plancher.

- En utilisant de l'adhésif de construction, appuyez fortement et uniformément sur la bande de transition pour qu'elle ait un contact adéquat avec le plancher brut. N'appliquez pas trop d'adhésif de construction puisqu'il risque de déborder et de remplir l'espace de dilatation.
- Pour permettre au plancher flottant de bouger librement, ne fixez jamais les pièces de transition au revêtement de sol.
- Installez la bande de transition en faisant en sorte qu'un espace de dilatation de 6,35 mm (1/4 po) soit maintenu autour du périmètre.
- Lorsque l'installation se trouve sur un plancher chauffé par rayonnement, utilisez toujours de l'adhésif de construction pour fixer les pièces de transition.
- Pour éviter que l'âme soit exposée, ajoutez un retour à l'extrémité de la moulure aux coins extérieurs; pour les coins intérieurs, taillez à l'aide d'une scie à onglet à un angle de 45° si le coin est carré ou utilisez une scie à découper s'il ne l'est pas.

Garniture à usages multiples

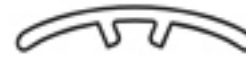


Fig. 8

Peuvent être utilisées lorsque le plancher se poursuit dans une autre pièce à travers un seuil de porte ou un couloir.

1. Vissez ou clouez un bloc-espacer temporaire de 12,7 mm (1/2 po) de large et d'au moins 12,7 mm (1/2 po) de haut au plancher brut.
2. Installez le plancher stratifié jusqu'à ce qu'il atteigne l'autre côté du bloc espacer en utilisant des espaceurs Armstrong pour obtenir un espace de dilatation de 6,35 mm (1/4 po).
3. Laissez le bloc-espacer et les espaceurs en place et terminez l'installation du plancher.
4. Enlevez le bloc-espacer et les espaceurs.
5. Installez la garniture en perçant des trous de 6,35 mm (1/4 po) aux emplacements de bouchons correspondants.
6. Installez les bouchons sur la garniture à usages multiples en les faisant glisser dans les extrémités et en les plaçant, alignés avec les trous percés à l'étape 5.
7. Enfoncez autant que possible les ancrages dans les trous à la main. Terminez en tapotant la garniture avec un maillet en caoutchouc. Si les trous sont trop grands pour contenir le bouchon, remplissez-le d'adhésif à séchage rapide et installez la garniture avec un poids jusqu'à ce que l'adhésif durcisse.

Garniture d'extrémité



Fig. 9

S'utilise lorsque le revêtement de sol stratifié se termine contre une surface verticale et lorsqu'un quart-de-rond ou une plinthe ne peuvent pas être utilisés – p. ex. face à une porte coulissante en verre ou sous un coup-de-pied. De plus, en raison de sa bordure finie, cette pièce forme un

mariage idéal avec le tapis. Cette pièce utilise un rail pour l'installation (fig. 10).

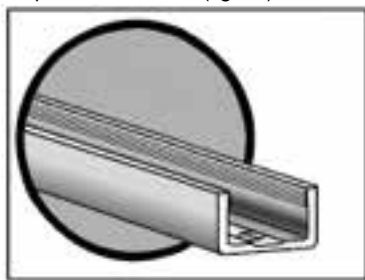


Fig. 10

1. Installez le système de rails en faisant en sorte que la bordure extérieure du rail soit à 11,1 mm (7/16 po) d'une surface verticale ou d'un revêtement adjacent.
2. Installez le plancher jusqu'au système de rails en utilisant des espaceurs Armstrong pour obtenir un espace de dilatation de 6,35 mm (¼ po).
3. Insérez la garniture d'extrémité dans le système de rails.

Nez de marche chevauchant



Fig. 11

S'utilise où le revêtement de sol entre en contact avec la marche inférieure ou le palier en utilisant la méthode de chevauchement ou sur les giron de marche avec la méthode affleurante.

1. Mesurez et coupez le nez de marche à la longueur voulue.
2. Appliquez un adhésif de construction à l'arrière du nez de marche. Lisez attentivement les mises en garde sur le contenant et suivre les instructions recommandées par le fabricant sur l'étiquette de l'adhésif.
3. Enfoncez le nez de marche sur le plancher brut et ancrez-le avec des clous de finition.
4. Lorsque vous utilisez une installation affleurante, les planches de plancher adjacentes doivent également être collées au plancher brut (Fig. 12).

Ajustement affleurant recommandé pour une série de marches / escaliers

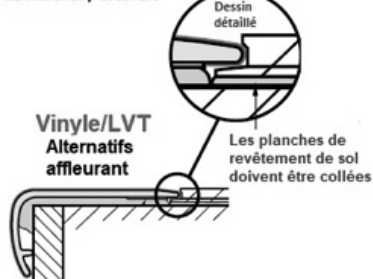


Fig. 12

Nez de marche affleurant

S'utilise où le plancher rencontre un palier ou sur des marches d'escalier.



Fig. 13

Liste des outils

- Scie circulaire à table ou scie à onglet
- Lame de scie de 25,4 cm (10 po) à 60 ou 80 pointes au carbure ATB ou à dents triples
- Perceuse électrique
- Marteau
- Clous de finition 6d
- Adhésif de construction
- Colle époxyde 5 minutes

Outils facultatifs

- Adhésif EverSeal Armstrong

Préparation des giron de marches

Les giron et contremarches doivent être structurellement solides, plats, secs, propres, lisses et exempts de peinture, de vernis, de cire, de solvants et d'autres corps étrangers. Coupez tout arrondissement existant à égalité avec la contremarche de l'escalier (à condition que le changement de dimension ne contrevienne pas aux codes du bâtiment) (fig. 14).

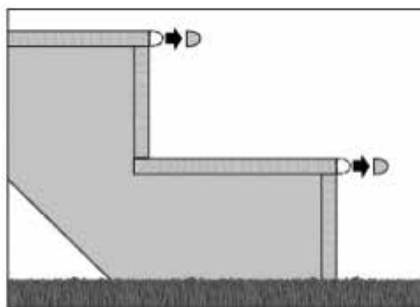


Fig. 14

Installation des giron de marches

1. En partant de la contremarche du bas, mesurez un morceau de revêtement de sol et coupez-le de manière à ce qu'il soit au même niveau que le giron existant.
2. Appliquez une bande de colle en forme de S, d'une longueur de 7,6 cm (3 po) à l'endos du revêtement (fig. 15). Reportez-vous à l'étiquette de l'adhésif utilisé pour consulter les recommandations, avertissements et mesures de sécurité.

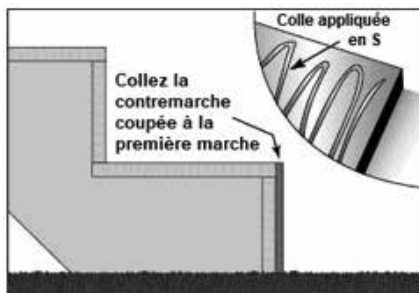


Fig. 15

3. Installez le morceau en appuyant.
4. Mesurez et coupez le nez de marche à la longueur voulue.
5. Sans utiliser de colle, installez le nez de marche sur le bord du premier giron de

manière à ce qu'il chevauche le morceau de stratifié se trouvant sur la contremarche du dessous. Mesurez la largeur entre le bord du nez de marche et la contremarche suivante (fig. 16).

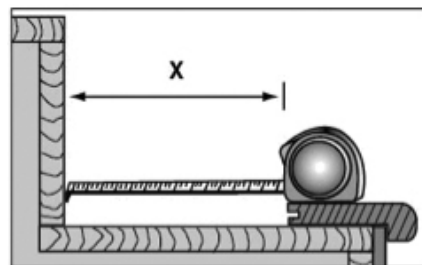


Fig. 16

6. Mesurez et coupez en largeur et en longueur un autre morceau de revêtement de sol pour le giron. Retirez la languette avec un couteau universel ou une scie circulaire.
7. Appliquez une bande d'adhésif de construction en forme de S répétitifs de 3 po (7,6 cm) de longueur à l'endos du morceau de marche et fixez-le à la marche. (Pour les planchers brut de bois, percez des trous dans le nez de marche qui a été installé et fixez-le avec des clous de finition 6d [fig. 17]. Enfoncez les clous en utilisant un chasse-clou. Remplissez les trous avec un bâton de retouche.)

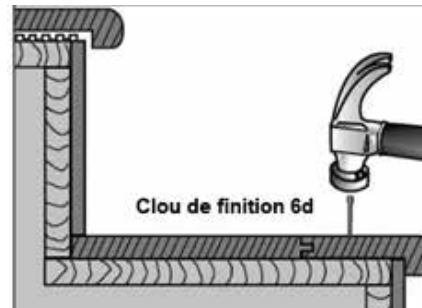


Fig. 17

8. Pour éviter un déplacement sur le béton, laissez suffisamment de temps de prise à l'adhésif avant de continuer l'installation. Ce temps variera selon le type d'adhésif utilisé.
9. Appliquez de l'adhésif de construction sur le giron de l'escalier existant et étendez-le également en utilisant une truelle à encoches carrées de 1,59 x 1,59 x 1,59 mm (1/16 x 1/16 x 1/16 po).
10. Appliquez un cordon d'adhésif (préférentiellement de la colle époxyde 5 minutes) sur la pointe du nez de marche. Selon les directives du fabricant, retirez immédiatement tout excédent d'adhésif se trouvant sur la surface du revêtement.
11. Placez le côté avec la languette contre le nez de la marche, en vous assurant que la surface de la planche est égale à celle du nez de la marche.
12. Assemblez les morceaux en les poussant l'un contre l'autre jusqu'à ce que le joint soit serré et égal et enlevez l'excès d'adhésif.
13. Répétez les étapes 1 à 12 jusqu'à ce que l'installation soit terminée.
14. Accordez une durée de prise de 24 heures à l'escalier avant de l'exposer au trafic.

Instructions pour installer un revêtement perpendiculaire au nez de la marche

1. Mesurez et coupez le nez de marche à la longueur voulue.
2. Si vous installez le nez de marche contre une extrémité à rainure, enlevez l'emboîtement pour permettre au nez de marche d'affleurer sur la rainure (Fig. 18).



Fig. 18

3. Appliquez une bande d'adhésif de construction en forme de S répétitifs de 7,6 cm (3 po) de longueur à l'endos du morceau de marche et fixez-le à la marche. Reportez-vous à l'étiquette de l'adhésif utilisé pour consulter les recommandations, avertissement et mesures de sécurité. (Pour les planchers brut de bois, percez des trous dans le nez de marche qui a été installé et fixez-le avec des clous de finition 6d. Enfoncez les clous en utilisant un chasse-clou. Remplissez les trous avec un bâton de retouche.)
4. Pour éviter un déplacement sur le béton, laissez suffisamment de temps de prise à l'adhésif avant de continuer l'installation. Ce temps variera selon le type d'adhésif utilisé.
5. Avec un couteau universel ou une scie circulaire, retirez la langue ou la rainure de la planche à installer sur le nez de la marche.
6. Appliquez un cordon d'adhésif époxyde ou Everseal Armstrong à l'extrémité de la planche qui rencontrera le nez de marche.

7. Placez le morceau de revêtement en place et tapez doucement sur les morceaux pour les resserrer, à l'aide du bloc de frappe.
8. Un mince cordon de colle continu doit remonter à la surface pour ainsi garantir un joint résistant à l'eau.
9. Retirez l'excédent de colle avec un linge humide. Essayez ensuite le tout avec un linge de coton propre et sec.

PROTECTION PROACTIVE DE VOTRE REVÊTEMENT DE SOL :

- Lorsque vous déplacez des appareils ménagers ou des meubles lourds, il est toujours conseillé de disposer des panneaux de contreplaqué, ou similaire, sur le sol et faites « avancer » les appareils sur ces panneaux. Vous protégerez ainsi votre revêtement de sol contre les rayures et les déchirures.
- Placez des protecteurs de sols sous les meubles afin de minimiser les empreintes sur le sol. En général, plus l'objet à poser sur le sol est lourd, plus la protection de revêtement de sol doit être large.
- Placez un essuie-pieds aux entrées qui donnent sur l'extérieur pour minimiser la pénétration de la saleté. Nous recommandons fortement les tapis sans endos en latex ou en caoutchouc puisque ces endos peuvent causer une décoloration permanente.
- Tous les produits d'entretien de revêtement de sol Armstrong ont été spécialement conçus pour l'entretien des revêtements de sol Armstrong.

ENTRETIEN DE VOTRE REVÊTEMENT DE SOL :

- Balayez ou passez l'aspirateur régulièrement pour enlever les débris de saleté qui pourraient rayer votre revêtement de sol. Remarque : Nous ne recommandons pas les aspirateurs avec brosse batteuse, celles-ci peuvent endommager visiblement la surface de votre revêtement de sol. De plus, n'utilisez pas de balai électrique muni de base en plastique dure non rembourrée qui pourrait décolorer le revêtement de sol ou en altérer le lustre.
- Essayez les déversements aussi tôt que possible. N'utilisez pas d'outils trop abrasifs pour nettoyer un revêtement de sol souple.
- Lavez votre sol régulièrement avec le nettoyant pour revêtements de sol souple et en céramique Once'n Done^{MD} Armstrong.
- N'utilisez PAS de détergents, de nettoyants abrasifs ou de produits « appliquer et lustrer ». Ces produits pourraient laisser une pellicule mate sur votre revêtement de sol.
- Au fil du temps, si le lustre de votre revêtement de sol s'estompe, utilisez le poli pour revêtements de sol souples au fini peu lustré SatinKeeper^{MD} Armstrong pour restaurer l'apparence. N'utilisez PAS de cire en pâte ou de produits à polir à base de solvant.
- Les revêtements de sol en vinyle, comme tous les autres types de revêtements de sol lisses, peuvent devenir glissants lorsqu'ils sont mouillés. Laissez sécher le revêtement de sol après l'avoir lavé. Essayez immédiatement les endroits qui ont été mouillés par des déversements, des substances étrangères ou par des pieds mouillés.

INSTRUCCIONES DE INSTALACIÓN DE EMPOWER™ RIGID CORE

INFORMACIÓN SOBRE EL PRODUCTO

Flotante y pegado

Adecuado para instalaciones en todos los niveles de grado

CLAVES PARA UNA INSTALACIÓN DE ENGANCHE EXITOSA:

- La mayoría de las instalaciones necesitarán aproximadamente 10% de margen de corte adicional a la longitud en pies cuadrados de la habitación.
- Es necesario un buen acondicionamiento del piso y del lugar de trabajo. No se debe exponer a las tablas de revestimiento de piso los cambios bruscos de temperatura o humedad.
- Almacene, transporte y manipule las tablas del revestimiento de piso de manera tal que se evite cualquier tipo de deformación. Las deformaciones no desaparecerán con el transcurso del tiempo. Almacene las cajas sobre una superficie plana y nivelada, nunca sobre los bordes. Asegúrese de que las tablas del revestimiento de piso se encuentren en posición plana al momento de la instalación.
- La instalación de alfombras, franjas metálicas y otras molduras de transición no debe provocar el abultamiento del piso y deben permitir un ligero movimiento cuando sea práctico.
- Proteja el piso de cargas rodantes pesadas, los obreros y del reemplazo o movimiento de artefactos con láminas de contrachapado o materiales similares.
- Las áreas en las cuales la habitación sea mayor de 40' (12.2 m) pero menor de 80' (24.4 m) en largo de las tablas o de un ancho mayor de 26' (7.9 m) pero menor de 52 pies. (15.9 m) se exige una zona mínima de expansión de 1/2" (13 mm) alrededor del perímetro de la habitación así como contra objetos fijos o molduras en "T" para compensar este movimiento.

INFORMACIÓN

EEl Empower Rigid Core se puede instalar usando los métodos flotante (no necesita adhesivo) o pegado. En cualquier caso, las tablas se deben instalar a 1/4" (6.4 mm) de todas las superficies verticales tales como paredes, gabinetes, tubos, etc. Cuando se instalan en baños, la separación se debe rellenar y sellar con una masilla acrílica siliconada de buena calidad. Este espacio se cubrirá posteriormente con las molduras o el zócalo. Las

islas y los gabinetes de base se pueden instalar en la parte superior de las tablas en las casas y unidades residenciales. Consulte la Guía de aplicación de revestimientos de uso comercial de Armstrong Flooring para las recomendaciones específicas de instalación en diferentes espacios comerciales.

PRECAUCIONES

¡ADVERTENCIA! Aserrar, lijar o modificar con máquina este producto produce polvo respirable, que puede incluir sílice cristalina. La sílice cristalina es conocida en el Estado de California como causante de cáncer. Para más información ingrese a www.P65Warnings.gov. PUEDE CAUSAR CÁNCER, PUEDE CAUSAR IRRITACIÓN RESPIRATORIA, CAUSA DAÑOS A LOS ÓRGANOS A TRAVÉS DE LA EXPOSICIÓN PROLONGADA O REPETIDA.

Precauciones: Si se usan herramientas eléctricas, estas deberán estar equipadas con un colector de polvo y utilizadas en un área bien ventilada. Si se detectan altos niveles de polvo, se deberá usar una máscara adecuada contra el polvo diseñada por NIOSH. Evite el contacto del polvo con los ojos y la piel.

Primeros auxilios: En caso de irritación, enjuague con agua los ojos o la piel durante 15 minutos como mínimo. Salga al aire fresco si está expuesto a grandes cantidades de polvo.

ADVERTENCIA: REVESTIMIENTO DE PISO FLEXIBLE EXISTENTE INSTALADO Y ADHESIVOS ASFÁLTICOS. NO LIJE, BARRA EN SECO, RASPE EN SECO, TALADRE, ASIERRE, LIMPIE CON PARTÍCULAS DE CRISTAL A PRESIÓN, NI DESPORTILLE NI PULVERICE MECÁNICAMENTE EL REVESTIMIENTO DEL PISO FLEXIBLE EXISTENTE, ASÍ COMO TAMPOCO EL RESPALDO, EL FIELTRO DE FORRO, EL ADHESIVO "ASFÁLTICO" NI OTRO TIPO DE ADHESIVO.

Estos productos existentes instalados pueden contener fibras de asbesto y/o sílice cristalina. Evite crear polvo. La inhalación de ese polvo constituye riesgo de cáncer y es peligroso para el sistema respiratorio. Los fumadores expuestos a las fibras de asbesto presentan mayores riesgos de padecer graves daños corporales. A menos que esté absolutamente seguro de que el producto existente instalado sea un material que no contiene asbesto, debe presumir que lo contiene. Las regulaciones pueden requerir que se pruebe el material para determinar el contenido de asbesto y pueden regir la remoción y el desecho del material.

Consulte la edición actual de la publicación del Resilient Floor Covering Institute (RFCI), Recommended Work Practices for Removal of Resilient Floor Coverings (Prácticas de trabajo recomendadas para remoción de revestimientos flexibles para piso) para conocer las instrucciones para la remoción de todos los revestimientos flexibles para piso, o contacte a su distribuidor o a Armstrong Flooring, Inc. al 1 800 233 3823.

NI el revestimiento para piso NI el adhesivo de este paquete contienen asbesto.

HERRAMIENTAS

- Bloque para golpear
- Barra de palanca
- Serrucho
- Espaciadores

CONTRAPISOS Y SUSTRATOS

Todos los sustratos mencionados a continuación deben prepararse adecuadamente y cumplir ciertos requisitos. Es posible que haya otras excepciones y condiciones especiales para que estos sustratos sean adecuados para el Sistema de instalación por enganche.

- Concreto: seco y liso en todos los niveles
- Contrapisos de madera suspendidos con bases de piso aprobadas de madera: deben tener un mínimo de 45.72 cm (18") de espacio con buena ventilación bajo el piso
- Revestimiento de piso de madera dura suspendida completamente adherido, liso y en escuadra, sin textura
- Pisos flexibles ya existentes, de una sola capa, completamente adheridos: no deben tener reverso de espuma ni acolchado
- Baldosa de cerámica, terrazo, mármol
- Pisos poliméricos vertidos (sin uniones)
- OSB (tabla de fibra orientada de ¾" (1.9 cm)
- Tablero de partículas de 40 lb (18.3 kg) de densidad o tablero de madera reconstituida

Para información adicional relativa a la instalación y preparación del contrapiso, consulte la sección Contrapisos y bases de piso del manual del sistema de instalación garantizado de Armstrong, F-5061 o la subsección Contrapisos y bases de piso.

NO INSTALE SOBRE:

- Pisos de baldosas flexibles existentes que estén por debajo del nivel de grado
- Pisos de vinilo ya existentes con reverso acolchado
- Alfombra

- Piso de madera dura que fue instalado directamente sobre concreto
- En habitaciones con pisos inclinados o desagües en el piso.

PREPARACIÓN DEL LUGAR DE TRABAJO

- Todos los sustratos deben estar estructuralmente firmes, secos, limpios, planos y lisos, con una desviación mínima. Los sustratos no deben tener humedad ni álcali excesivos. Retire la suciedad, pintura, barniz, cera, aceites, solventes y cualquier otra materia extraña o agentes contaminantes.
- Las irregularidades del subsuelo no deben exceder 3/16" en 10' (4.8 mm en 3 m) o 1/8" en 6' (3.2 mm en 1.8 m). Nivele los pisos con una base de piso autonivelante adecuada a base de cemento cumpliendo con las pautas recomendadas por el fabricante.
- No utilice productos que contengan solventes de petróleo o aceites cítricos para preparar los sustratos ya que pueden provocar manchas y la expansión del revestimiento del piso nuevo.
- En trabajos de renovación o remodelación, retire cualquier residuo de adhesivo existente para que quede expuesta el 100% del área del sustrato original.
- Las juntas de lechada de cerámica y mármol y las irregularidades en el concreto se deben rellenar y nivelar con el parche nivelador de relieve y base de piso S-194 mezclado con el aditivo para base de piso S-195 para llenar y alisar los relieves del piso existente.
- El área donde se vaya a colocar el piso flexible y los materiales del piso y adhesivos debe estar a una temperatura entre 65°F (18°C) y 85°F (29°C) por 48 horas antes de la instalación, durante la instalación y 48 horas después de finalizado el trabajo. A partir de ese momento mantenga las temperaturas entre 32°F (13°C) y 100°F (38°C).
- Realice una prueba de humedad para los sustratos de concreto. También se deben efectuar pruebas de unión para determinar la compatibilidad con el sustrato para las

aplicaciones con pegamento. Para más información, consulte las recomendaciones sobre Prueba de humedad y Prueba de unión que se encuentra en www.floorexper.com.

- Los sustratos con calefacción radiante no deben tener una temperatura de superficie mayor de 85°F (29°C).
- Los paneles del contrapiso deben tener una cara lisa, lijada y no mostrar abultamiento en los bordes ni la superficie debido a la exposición a las condiciones atmosféricas o la circulación en la construcción.
- Hay numerosos productos disponibles para usar como rellenos de piso, parches, bases de piso autoniveladoras y bases de piso que se pueden aplicar con palustre. Estos incluyen mezclas de propiedad exclusiva de compuestos tales como el cemento Portland, aluminatos cálcicos y los productos a base de yeso. Los fabricantes recomiendan estos productos para alisar contrapisos ásperos o irregulares, mejorando las características acústicas y de incendios o como sustratos para recibir pisos flexibles sobre contrapisos en condiciones que de otra manera no serían adecuadas. Si la superficie del contrapiso está polvorienta, aplique S-185 a la superficie.
- Este producto se puede instalar dentro de una habitación y luego se puede aumentar la temperatura a 140°F (60°C) por un máximo de 24 horas.

PROCEDIMIENTO: OPCIÓN CON PEGAMENTO

ADHESIVO PARA REVESTIMIENTO DE PISO ARMSTRONG S-288

Aplique el adhesivo S-288 a la mitad del área de cada vez de modo que pueda comenzar la instalación por la línea de inicio central. Comience a colocar las tablas por la línea de inicio central e instale hilera por hilera, incluyendo las piezas cortadas en el perímetro hasta que haya terminado la mitad de la instalación. Escalone las uniones de los extremos al menos 6" (15.2 cm) Aplique el adhesivo a la porción restante de la habitación, permitiendo que seque al tacto y finalice la instalación de las tablas de forma similar.

Seco al tacto - Aproximadamente 30 minutos (estará pegajoso pero no se transferirá a los dedos).

Use el palustre S-891 de muesca fina (1/32" [0.8 mm] de profundidad, 1/16" [1.6 mm] de ancho y 5/64" [2 mm] de separación).

Después de instalar las tablas, pase de inmediato un rodillo de 100 lb (45.5 kg) sobre todo el piso. Utilice un rodillo de mano en áreas reducidas cuando el rodillo de piso grande no alcance, por ejemplo, debajo de los rodapiés de los gabinetes.

Puede caminar sobre las tablas de inmediato; sin embargo el piso no se debe exponer a la circulación de cargas rodantes pesadas durante 72 horas después de la instalación. Utilice piezas de cartón o paneles de base de piso para protegerlo cuando traslade muebles o electrodomésticos pesados de nuevo en la habitación.

SEGURIDAD Y LIMPIEZA:

El adhesivo húmedo o las gotas se deben limpiar inmediatamente con agua y jabón y un paño limpio. El adhesivo seco puede requerir el uso de un limpiador de adhesivo con solvente.

DISTRIBUCIÓN Y ADAPTACIÓN

PREPARACIÓN DE LA INSTALACIÓN:

Quite el zócalo, las molduras cuarto de círculo, la base de pared, los artefactos y los muebles de la habitación. Para obtener mejores resultados, la moldura de la puerta debe recortarse en la parte inferior para permitir que el revestimiento de piso se mueva libremente. Después del trabajo de preparación, barra y aspire toda el área de trabajo para retirar todo el polvo o los residuos.

Siempre que sea posible, planifique la distribución para que las uniones de las tablas no caigan sobre las uniones o empalmes del sustrato ya existente. Las uniones de los extremos de las tablas deben estar alternadas a una distancia mínima de 15.2 cm (6"). No instale sobre las uniones de expansión. Evite instalar piezas de menos de 8" (20.32 cm).

Determine en qué dirección se colocarán las tablas. Encuentre el centro de cada una de las paredes finales (las paredes perpendiculares al largo de las tablas) y haga una marca con un lápiz en el piso. Conecte estos puntos resaltando el trazo con una línea de tiza hacia el centro de la habitación. Distribuya las tablas provisoriamente desde la línea central hasta la pared en sentido paralelo a la orientación a lo largo de las tablas para determinar el ancho de la última hilera de tablas (consulte la Figura 1).

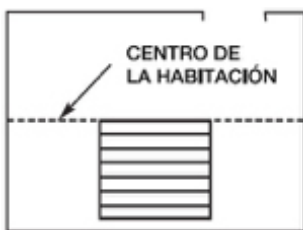


Fig. 1 – Distribuya provisoriamente para determinar el ancho de la tabla de los bordes.

Evite tener las piezas de los bordes a menos de la mitad del ancho de las tablas. Si descubre que las tablas de los bordes serán menores que la mitad del ancho de la tabla, la línea central inicial se debe modificar a una distancia igual

a la mitad del ancho de la tabla. Esto hará que la habitación sea simétrica y dará una pieza de corte más grande hacia la pared.

MÉTODOS DE INSTALACIÓN

Nota: El contrapiso debe estar totalmente libre de polvo y residuos. Si el contrapiso está polvoriento esto puede afectar el desempeño del producto.

Nota: Escalone las uniones terminales en 6" (15.2 cm). Las piezas cortadas en los extremos de las hileras deben tener 8" (20.3 cm) de largo o más.

Coloque la primera tabla para que el borde acanalado esté orientado hacia usted. Instale el producto de izquierda a derecha en la habitación. Consulte la Figura 2 para la posición de la tabla inicial en la habitación.

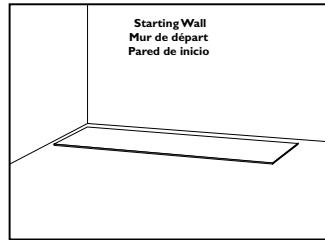


Fig. 2 – Esquina izquierda de la pared inicial.

Ocasionalmente puede ser necesario instalarlo al contrario. Esto se puede hacer deslizando las ranuras debajo de las lengüetas y trabajándolas de derecha a izquierda, pero esto es más difícil.

Instale la primera hilera:

1. Inspeccione cada pieza antes de la instalación para verificar que no tenga daños.
2. Para minimizar la repetición de patrones en el piso, siempre vaya sacando el producto de por lo menos 3 cajas cuando esté instalando.
3. Instale la segunda tabla en la hilera inicial inclinando la lengüeta terminal en la ranura del extremo de la primera tabla. Instale la segunda pieza completa y las subsiguientes en la hilera inicial o primera alineando los extremos cortos de las tablas y enganchándolas en su lugar. (Consulte la Figura 3.)
4. Utilice espaciadores a lo largo de todos los lados que hagan tope contra las paredes para mantener una zona de expansión de 1/4" a 1/2" (6.4 mm a 12.7 mm). Las áreas en las cuales la habitación sea mayor de 40' (12.2 m) pero menor de 80' (24.4 m) en el largo de las tablas o de un ancho mayor de 26' (7.9 m) pero menor de 52 pies (15.9 m) en el ancho de las tablas, se exige una zona mínima de expansión de 1/2" (12.7 mm) alrededor del perímetro de la habitación así como contra objetos fijos.



Fig. 3 – Coloque el extremo de la lengüeta dentro de la ranura del extremo de las tablas de la hilera inicial.

5. Al medir la última pieza en la hilera, reste

1/4" (6.4 mm) del extremo de la tabla para mantener la zona de expansión.

6. Corte con el lado decorativo hacia arriba si usa un serrucho, o con el lado decorativo hacia abajo si usa una sierra eléctrica, para reducir al mínimo el astillado. También puede utilizar una navaja multiuso.
7. Si la pieza cortada de la primera hilera mide 8" (20.3 cm) o más, utilícela para comenzar la segunda hilera. Si la pieza mide menos de 8" (20.3 cm), corte una tabla completa por el medio, y use esta.

Instalación de las hileras restantes:

1. Continúe colocando tablas, una hilera por vez y escalonando las uniones de los extremos.
2. Instale la primera tabla en la segunda hilera (y en las subsiguientes) insertando la lengüeta lateral en la ranura de la tabla adyacente de la primera hilera (Fig. 4).



Fig. 4 – Incline el lado largo hacia la fila anterior.

3. Mantenga el ángulo natural de esta tabla ligeramente elevado del contrapiso. Seguidamente incline el extremo corto de la siguiente tabla en la hilera para fijarlo en la tabla anterior (Fig. 5).



Fig. 5 – Incline el extremo de la siguiente tabla

4. Seguidamente alinee la tabla para que la lengüeta del lado largo esté ubicada sobre el borde de la ranura de la tabla adyacente de la hilera anterior. Trabajando desde la junta de extremo, con una inclinación baja, inserte la lengüeta del lado largo en la ranura de la tabla adyacente (Fig. 6) hasta que sienta que la lengüeta engancha en la ranura.



Fig. 6 – Enganche el lado largo con los extremos ya enganchados

5. Continúe instalando tablas por la hilera hasta que llegue a la pared de la derecha.

Continúe instalando tablas. Mantenga una apariencia aleatoria desviando las uniones de extremo al menos 6" (15.2 cm). Siempre

compruebe que las tablas estén totalmente enganchadas. Si observa una ligera separación, coloque una pieza cortada del revestimiento de piso (pieza de conexión) en la ranura lateral que cubre los extremos de dos tablas adyacentes en una hilera. Seguidamente golpee el costado de la tabla con un bloque de impacto. (Consulte la Figura 7.)



Fig. 7 - Golpee el lateral de la tabla con un bloque para golpear

Cuando adapte en áreas tales como los marcos de puertas, puede ser necesario utilizar una barra de tracción plana para fijar el enganche.

Continúe instalando las hileras restantes de la misma manera. Para las tablas, mantenga escalonadas las uniones de los extremos a un mínimo de 6" (15.2 cm) entre las hileras y para las tablas mantenga el espacio de 1/4" (6.4 cm) en el perímetro y en las superficies verticales.

ACABADO DEL TRABAJO

Vuelva a colocar la moldura o el zócalo y deje una pequeña distancia entre la moldura y las tablas. Clave la moldura a la superficie de la pared y no a través del piso. En las entradas y en otras áreas donde las tablas del revestimiento de piso puedan encontrarse con otras superficies de piso, es preferible utilizar una moldura en "T", o similar, para cubrir el borde expuesto sin aplastar las tablas. Deje un pequeño espacio entre las tablas y la superficie contigua.

PIEZAS DE TRANSICIÓN Y MOLDURAS COMBINADAS

Armstrong ofrece molduras de refuerzos de extremo, remates multiuso, nariz de escalón al ras y nariz de escalera especialmente diseñadas para finalizar la instalación del piso.

- Al usar adhesivo para la construcción, coloque un peso sobre los listones de transición de manera uniforme para asegurar un contacto correcto con el contrapiso. No utilice una cantidad excesiva de adhesivo de construcción que podría rezumar y llenar la zona de expansión.
- Para permitir que el piso flotante se mueva libremente, nunca fije las molduras al revestimiento de piso laminado.
- Mantenga la colocación de los listones de transición de manera que se conserve una expansión de 1/4" (6.4 mm) alrededor del perímetro.
- Al instalar sobre un piso con calefacción radiante, utilice siempre adhesivo de construcción para fijar cada pieza de transición.
- Para evitar que se esponga el núcleo, agregue una "vuelta" a los extremos de la moldura en las esquinas externas; para las internas corte a inglete a un ángulo de 45° si la esquina está a escuadra o use una sierra caladora si la esquina no está a escuadra.

Remate multiuso



Fig. 8

Se pueden usar donde el revestimiento de piso continúe a través de una entrada de puerta o pasaje hacia otra habitación.

1. Atornille o clave provisionalmente un bloque espaciador que tenga 1/2" (12.7 mm) de ancho y un mínimo de 1/2" (12.7 mm) de alto hasta el contrapiso.
2. Instale el piso laminado hasta el bloque espaciador usando espaciadores para obtener una zona de expansión de 1/4" (6.4 mm).
3. Deje el bloque espaciador y los espaciadores en su lugar y finalice toda la instalación del piso.
4. Retire el bloque espaciador y los espaciadores.
5. Instale el remate taladrando agujeros de 1/4" (6.4 mm) en la ubicaciones de las piezas mariposa.
6. Instale las piezas mariposa en el remate multiuso deslizándolas dentro de los extremos y ajustándolas en su posición, alineadas con los agujeros taladrados en el paso 5.
7. Presione manualmente las anclas dentro de los agujeros, tanto como sea posible. Remate golpeando el remate con un mazo de goma. Si los agujeros son demasiado grandes para retener la pieza mariposa, rellene el agujero con un adhesivo de secado rápido e instale el remate y empuje hasta que el adhesivo cure.

Refuerzos de extremos



Fig. 9

Se utiliza cuando el piso laminado termina contra una superficie vertical y donde no se pueda usar una moldura de cuarto de círculo ni un zócalo, p. ej.: delante de una puerta corredera o debajo de una moldura protectora. Adicionalmente, el borde con acabado de esta pieza hace que tenga un calce ideal contra la alfombra. Esta pieza utiliza un riel para su instalación (Fig. 10).

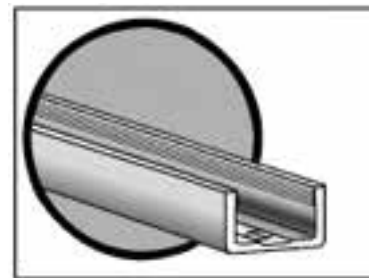


Fig. 10

1. Instale el sistema de riel de manera que el borde externo del riel esté a una distancia de 7/16" (11.1 mm) de la superficie vertical o del piso adyacente.
2. Instale el piso hasta el sistema de riel usando espaciadores Armstrong para obtener una zona de expansión de 1/4" (6.4 mm).

3. Instale a presión el refuerzo de extremo dentro del sistema de riel.

Nariz de escalón superpuesta



Fig. 11

Se usa donde el revestimiento de piso se une con un escalón hacia abajo o un descanso de escalera utilizando el método de superposición o en huellas de escalones utilizando el método al ras.

1. Mida y corte la nariz de escalón a la medida.
2. Aplique adhesivo de construcción al respaldo de la nariz de escalón. Lea con cuidado las precauciones y siga las instrucciones recomendadas por el fabricante en el rótulo adhesivo.
3. Presione la nariz de escalón dentro del contrapiso y ancle la nariz de escalón con clavos de acabado.
4. Cuando se utiliza una instalación al ras las planchas del revestimiento de piso adyacentes también deben adherirse al contrapiso (Fig. 12).

Se recomienda un ajuste al ras para los escalones

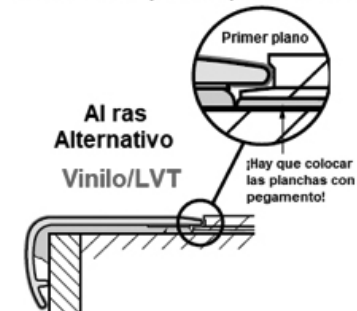


Fig. 12

Nariz de huella de escalón al ras

Use donde el revestimiento de piso se une con un descanso o en huellas de escalones.



Fig. 13

Lista de herramientas

- Sierra de mesa o de corte a inglete
- Hoja de sierra de 10" (25.4 cm) de 60 o de 80 dientes con punta de acero al carbono ATB o de triple muesca
- Taladro eléctrico
- Martillo
- Clavos de acabado 6d
- Adhesivo de construcción
- Adhesivo epóxico de 5 minutos

Herramientas opcionales

- Adhesivo EverSeal de Armstrong®

Preparación de las huellas de escalones

Los peldaños y los contrapeldaños deben estar en buen estado estructural, planos, secos,

limpios, lisos y sin pintura, barniz, cera, aceite, solvente y otras materias extrañas. Recorte cualquier borde redondeado al ras con el contrapeldaño de la escalera (siempre que el cambio en la dimensión no viole códigos de construcción locales) (Fig. 14).

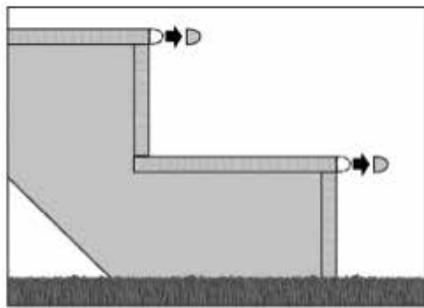


Fig. 14

Instalación de las huellas de los escalones

1. Comenzando en el contrapeldaño inferior, mida y corte un trozo de tabla laminada para que calce al ras con huella del escalón.
2. Adhiera en su sitio con adhesivo de construcción aplicando un cordón de 3" (7.6 cm) en forma de serpiente en la parte posterior del revestimiento de piso (Fig. 15). Consulte el rótulo del adhesivo de construcción para ver todas las recomendaciones, advertencias y precauciones de seguridad.

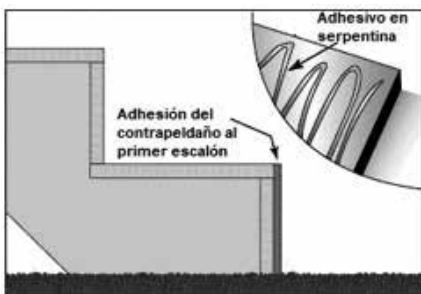


Fig. 15

3. Presione en su lugar.
4. Mida y corte la nariz de escalón a la medida.
5. Pruebe en seco la nariz de escalón contra el borde del primer peldaño haciendo que la moldura de la nariz de escalón se superponga sobre la pieza del revestimiento de piso del contrapeldaño inferior. Mida la distancia desde el borde de la nariz de escalón hasta el contrapeldaño siguiente (Fig. 16).

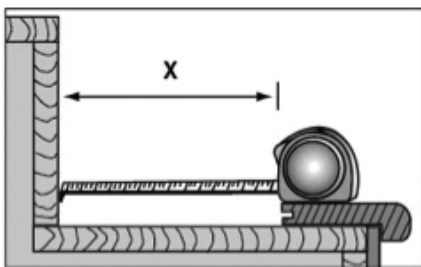


Fig. 16

6. Mida y corte otra pieza del revestimiento de piso al largo y ancho para la huella del escalón. Usando una cuchilla multiuso, o una sierra de mesa, elimine la lengüeta.

7. Aplique un cordón de adhesivo de construcción formando un patrón de serpiente de 3" (7.6 cm) en la parte posterior de la pieza cortada de la nariz de escalón y fije a la escalera. (En contrapisos de madera, perforo agujeros del tamaño adecuado en la nariz de escalón instalado y ancle con clavos de acabado 6d (Fig. 17). Embuta los clavos usando un punzón para clavos. Llene los agujeros con una barra para reparaciones).

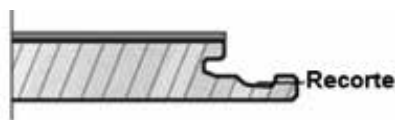


Fig. 17

8. Para evitar desplazamiento sobre concreto, espere el tiempo suficiente para que el adhesivo de construcción fragüe antes de continuar con la instalación. Este tiempo va a variar dependiendo del tipo de adhesivo que se utilice.
9. Aplique adhesivo de construcción al peldaño de la escalera existente y extienda de manera uniforme usando un palustre de muescas cuadradas de 1/6" x 1/16" x 1/16" (1.59 mm x 1.59 mm x 1.59 mm).
10. Aplique un cordón de adhesivo (preferentemente epóxico de 5 minutos) al borde de la nariz de escalón. Siguiendo las recomendaciones del fabricante, elimine inmediatamente cualquier exceso de adhesivo de la superficie del revestimiento de piso.
11. Coloque el lado de la lengüeta del piso contra la nariz de escalón, asegurándose de que la superficie de la tabla laminada quede al ras con la superficie de la nariz de escalón.
12. Empuje las piezas para juntas hasta que la unión esté apretada y elimine entonces el exceso de adhesivo.
13. Repita los pasos 1 a -12 hasta que se haya completado la instalación.
14. Espere 24 horas para que se cure el adhesivo antes de exponer la escalera al tráfico.

Instrucciones para instalación perpendicular a la nariz de escalón

1. Mida y corte la nariz de escalón a la medida.
2. Para la instalación de una nariz de escalón contra un extremo de ranura, rebaje el enganche para permitir que la nariz de escalón quede a ras con la ranura (Fig. 18).



3. Aplique un cordón de adhesivo de construcción formando un patrón de serpiente de 3" (7.6 cm) en la parte posterior

de la pieza cortada de la nariz de escalón y fije a la escalera. Consulte el rótulo del adhesivo de construcción para ver todas las recomendaciones, advertencias y precauciones de seguridad. (En contrapisos de madera, perforo agujeros del tamaño adecuado en la nariz de escalón instalada y ancle con clavos de acabado 6d. Embuta los clavos usando un punzón para clavos. Llene los agujeros con una barra para reparaciones).

4. Para evitar desplazamiento sobre concreto, espere el tiempo suficiente para que el adhesivo de construcción fragüe antes de continuar con la instalación. Este tiempo va a variar dependiendo del tipo de adhesivo que se utilice.
5. Usando una cuchilla multiuso o una sierra de mesa, retire la lengüeta de la tabla de piso a ser instalada contra la nariz de escalón.
6. Aplique un cordón de adhesivo epóxico o adhesivo Armstrong Everseal al extremo de la tabla que se unirá con la nariz de escalón.
7. Coloque la sección de revestimiento de piso en su sitio y golpee suavemente las piezas para juntarlas usando el bloque de impacto.
8. Debe salir a la superficie un fino cordón de adhesivo pequeño continuo para comprobar que la unión sea resistente al agua.
9. Elimine el exceso de adhesivo usando un paño húmedo seguido por una limpieza con un paño limpio y seco de algodón.

PROTECCIÓN PROACTIVA PARA SU PISO:

- Cuando mueva electrodomésticos o muebles pesados, es siempre prudente colocar un panel de madera contrachapada en el piso y "desplazar" el objeto sobre este. Esto protege el piso y evita marcas y desgarros.
- Utilice protectores de piso bajo los muebles para disminuir las melladuras. Como regla general, cuanto más pesado sea un objeto, más ancho deberá ser el protector de piso.
- Coloque un tapete de entrada fuera de las entradas para disminuir la cantidad de polvo que ingresa a su hogar. Le recomendamos especialmente el uso de tapetes sin refuerzo de látex o caucho, ya que estos refuerzos pueden provocar una decoloración permanente.
- Todos los productos para el cuidado de pisos Armstrong están especialmente desarrollados para cuidar los pisos Armstrong.

CUIDADO DE SU PISO:

- Barra o aspire regularmente para quitar el polvo suelto que puede rayar el piso. Nota: No recomendamos el uso de las aspiradoras que tienen una barra para restregar ya que estas pueden dañar visiblemente la superficie del revestimiento de piso. Además, no recomendamos el uso de escobas eléctricas con base plástica dura sin protección ya que el uso puede provocar decoloración en el piso y volverlo opaco.
- Seque los derrames lo antes posible. Nunca utilice implementos muy abrasivos para restregar un piso flexible.
- Lave el piso regularmente con un limpiador para pisos de vinilo como el Armstrong Once

'n Done® Resilient & Ceramic Floor Cleaner.

- NO utilice detergentes, limpiadores abrasivos ni productos "pase el trapeador y lustre". Estos productos pueden dejar una película opaca en el piso.
- Con el tiempo, si el brillo de su piso comienza a disminuir, aplique el acabado para pisos Armstrong Satinkeeper® Low Gloss Floor Finish para restaurar la apariencia de su piso. NO utilice cera en pasta o pulimentos a base de solventes.
- Los pisos de vinilo, como otros tipos de pisos lisos, pueden volverse resbalosos cuando están mojados. Deje secar el piso después de lavarlo. Limpie inmediatamente las áreas mojadas por causa de líquidos derramados, sustancias extrañas o los pies mojados.